

**For 5kV-35kV
Distribution Systems**

Loadbreak & Deadbreak
Separable Connectors

Cable Joints

Cable Terminations



Product Selection Guide

POWER DELIVERY



Product Guide PG-CA provides an easy-to-use, comprehensive listing of Elastimold products for 5kV thru 35kV underground power distribution systems. Included are separable elbow connectors, cable joints, terminations and other cable accessory components. This catalog incorporates information relative to product application, ratings and selection.

The Thomas & Betts Elastimold brand is recognized as the leading producer of premolded cable accessory components worldwide. Utilizing specially formulated materials with 100% peroxide-cured insulation and shielding, Elastimold products represent the state-of-the-art in premolded process technology. Durable, quality construction and non-degrading, high-reliability, maintenance-free performance is assured when specifying Elastimold products.

Elastimold's broad line of premolded products offers significant advantages over field-fabricated and other alternatives, including: 100% factory assurance testing prior to delivery and installation; simplified, single-piece construction with built-in insulating, shielding and sealing surfaces; ease of installation with no special skills or tools required; and compact, lightweight, durable designs for easy handling and application.

Separable Elbow Connectors and their related accessories are available in 200 Amp loadbreak, 200 Amp deadbreak and 600 Amp deadbreak styles. Rated for padmount, subsurface, vault, indoor, outdoor and other applications, units feature interchangeable interfaces which can be easily engaged or separated to provide a convenient method to connect or disconnect cable and equipment in a distribution system.

Cable Joints are available in permanently crimped or bolted (separable) connector styles. Permanently crimped units are rated the same as the cable they are connecting and are available for all applications including direct buried.

Cable Terminations are available in single-piece or modular designs. Rated for indoor, outdoor or padmount applications, units allow connection and transition from shielded underground cables to bare overhead conductors and live-front equipment.

Elastimold Special Component Services Group provides custom products tailored to specific application requirements. Please contact the factory for further information regarding this service.

For Surge Arresters and Fused Elbows, please see Elastimold Product Guides, PG-PC-E and PG-PC-H.

Certified Tests & Performance	
Ratings	Pg. 2
Separable Connector Interfaces	
Standard Interfaces for Separable Connectors, Components & Equipment Bushings	Pg. 3
Separable Connectors	
200 Amp Loadbreak	Pg. 4-7
200 Amp Deadbreak	8-9
600 Series Deadbreak	10-13
600 Series Deadbreak – Cam-Op™, Link-Op™	14-15
600 Series Deadbreak – Stick-Op™, Window-Op™	16-17
600 Series Deadbreak – Cable Joints	18-19
Molded Multi-Point Junctions	
Molded Multi-Point Junctions	Pg. 20-21
PCJ Cable Joints	
Cable Joints	Pg. 22-23
Cable Terminations	
Cable Terminations	Pg. 24-27
Shield Adapters, Grounding Kits and Jacket Seals	
Shield Adapters, Sealing & Grounding	Pg. 28-29
Equipment Bushings	
Equipment Bushings	Pg. 30
Reference	
How to Specify Size-Sensitive Products	Pg. 32-33
AEIC & ICEA Cable Insulation Diameter	34-36
Cable Conductor Diameter	37
WX Size Tables	38-39
Index	
Index	Pg. 40-41

Elastimold Separable Connectors, Cable Joints, Cable Terminators and other cable accessory products have been designed and tested per applicable portions of IEEE, ANSI and other industry standards including:

- IEEE 386™ Standard For Separable Connectors
- IEEE 404™ Standard For Cable Joints and Splices
- IEEE 48™ Standard For Cable Terminations

- IEEE 592™ Standard For Exposed Semiconducting Shields
- ANSI C119.4 Standard For Copper and Aluminum Conductor Connectors
- AEIC CS8 Standards For XLP and EPR Insulated Cables
- ICEA S-94-649-2004 and S-97-682-2000 Standard for Cables Rated 5,000 – 46,000 Volts

CABLE JOINTS AND TERMINATIONS RATINGS

Refer to the pages listed below for rating information:

- PCJ Cable Joints, page 22.
- Cable Terminations, page 24.

SEPARABLE CONNECTOR RATINGS

Table 1 shows voltage and current ratings which apply to all Separable Connectors including 200 AMP Loadbreak, 200 AMP Deadbreak and 600 Series Deadbreak products. Table 2 shows switching and fault close ratings which only apply to 200 AMP Loadbreak Connectors.

TABLE 1	15kV Class Ratings	25kV Class Ratings	35kV Class Ratings
<ul style="list-style-type: none"> • OPERATING VOLTAGE Maximum line-to-ground (See Application Info Note 1) 	8.3kV	15.2kV	21.1kV
<ul style="list-style-type: none"> • BIL Impulse withstand 1.2 x 50 microsecond wave 	95kV	125kV	150kV
<ul style="list-style-type: none"> • WITHSTAND VOLTAGE AC One Minute DC Fifteen Minute 	34kV 53kV	40kV 78kV	50kV 103kV
<ul style="list-style-type: none"> • CORONA EXTINCTION LEVEL @ 3pC Sensitivity 	11kV	19kV	26kV
<ul style="list-style-type: none"> • 200 AMP Products Continuous Current: Symmetrical Momentary Current: • 600 Series Products Continuous Current: Symmetrical Momentary Current: 	200 AMP* 10kA sym, 10 cycle duration 600 and 900 AMP* 25kA sym, 10 cycle duration * Designed for 90° C maximum continuous operating temperature		

TABLE 2	LOADMAKE/LOADBREAK SWITCHING	FAULT CLOSE
15kV Class Ratings	<ul style="list-style-type: none"> • 1Ø and 3Ø circuits 8.3kV line to ground, 14.4kV max. across open contacts. • 10 loadmake/break operations at 200 Amps max. with 70 to 80% lagging power factor. 	1 fault close operation at 8.3kV or 14.4kV; 10,000 Amps, rms, sym. 10 cycles (0.17 sec.) 1.3 max. asym factor applies to new or used mating parts (up to maximum designated switching operations.)
25kV Class Ratings	<ul style="list-style-type: none"> • 1Ø and 3Ø circuits 15.2kV line to ground, 26.3kV max. across open contacts. • 10 loadmake/break operations at 200 Amps max. with 70 to 80% lagging power factor. 	1 fault close operation at 15.2kV or 26.3kV; 10,000 Amps, rms, sym. 10 cycles (0.17 sec.) 1.3 max. asym factor applies to new or used mating parts (up to maximum designated switching operations.)
35kV Class Ratings	<ul style="list-style-type: none"> • 1Ø and 3Ø circuits 21.1kV line to ground, 36.6kV max. across open contacts. • 10 loadmake/break operations at 200 Amps max. with 70 to 80% lagging power factor. 	1 fault close operation at 21.1kV or 36.6kV; 10,000 Amps, rms, sym. 10 cycles (0.17 sec.) 1.3 max. asym factor applies to new or used mating parts (up to maximum designated switching operations.)

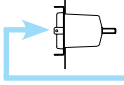
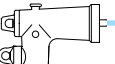




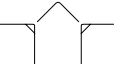
APPLICATION INFORMATION:

1. Loadbreak connectors are designed and rated for use on grounded WYE systems. For application on ungrounded WYE or delta systems, the next higher voltage class product is recommended. Examples: 5kV ungrounded: use 15kV class products; 15kV ungrounded: use 25kV class products; 25kV ungrounded: use 35kV class products.
2. Products are designed and constructed for all applications including padmount, subsurface, vault, indoor, outdoor, direct sunlight, direct buried and continuously submerged in water.
3. Products are designed and rated for ambient temperatures of -40° C to +65° C. It is recommended that loadbreak connectors be hotstick operated at -20° C to +65° C ambient temperature range and at altitudes not exceeding 6000 feet.

Standard Interfaces for Separable Connectors, Components and Equipment Bushings

ANSI/IEEE Standard 386 defines the specific interface dimensions that 200 Amp and 600 Series elbows, inserts, junctions, equipment bushings and any mating components must conform to insure

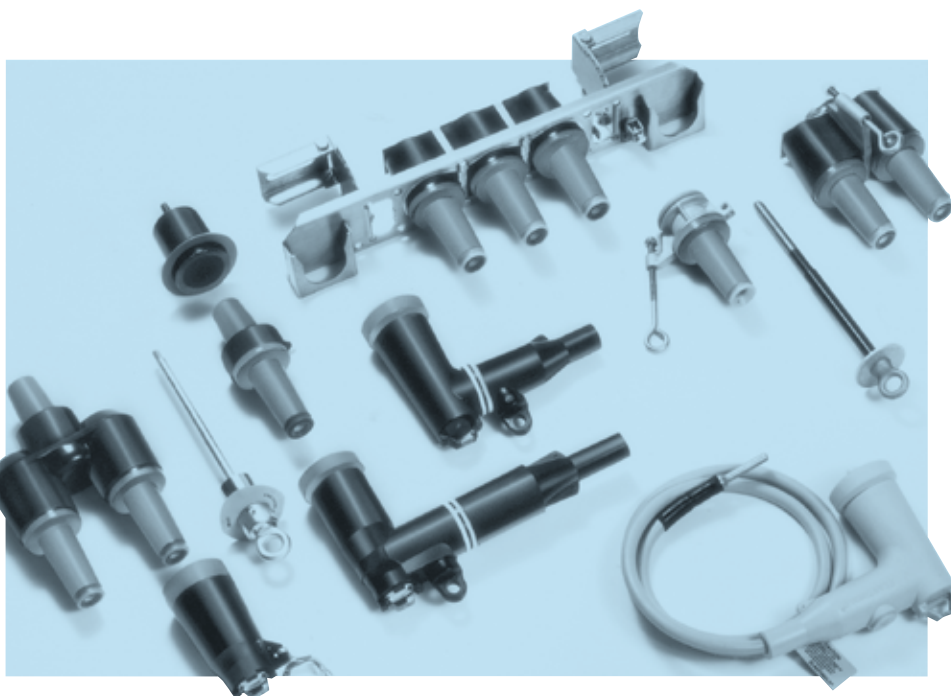
interchangeability. The table below provides information concerning the types of interfaces supplied by Elastimold for various applications and is useful to assure proper matching of components.

Bushing Interface	Voltage Class	Interface Description	Standard No. Figure No.
 <p>A 200 AMP DEEPWELL EQUIPMENT BUSHING</p>	15kV, 25kV and 35kV	200 AMP Bushing Well Interface 8.3kV, 15.2kV, 21.1kV	A IEEE 386-2001 Fig. 3
 <p>B 200 AMP LOADBREAK INSERT</p>	15kV	200 AMP Loadbreak 8.3kV and 8.3kV/14.4kV	B IEEE 386-2001 Fig. 5
 <p>C 200 AMP LOADBREAK INSERT</p>	25kV	200 AMP Loadbreak 15.2kV and 15.2kV/26.3kV	C IEEE 386-2001 Fig. 7, Note 1
 <p>D 200 AMP LOADBREAK INSERT</p>	35kV	200 AMP Loadbreak Interface No. 2 21.1kV and 21.1kV/36.6kV	D IEEE 386-2001 Fig. 7, Note 1
 <p>E 200 AMP DEADBREAK INSERT</p>	15kV and 25kV	200 AMP Deadbreak 8.3kV and 15.2kV	E IEEE 386-2001 Fig. 4
 <p>F 600 SERIES EQUIPMENT BUSHING</p>	15kV and 25kV	600 AMP Deadbreak Interface No.1 8.3kV and 15.2kV	F IEEE 386-2001 Fig.11
 <p>G 600 SERIES EQUIPMENT BUSHING</p>	35kV	600 AMP Deadbreak Interface No.1 21.1kV	G IEEE 386-2001 Fig.13

NOTES:
1. Elastimold uses Fig. 7 interface for both 25 and 35kV applications.

200 Amp loadbreak connectors and accessories provide a convenient method to connect/disconnect cable and equipment on power distribution systems. Loadbreak elbows include provisions for energized operation using standard hotstick tools, allowing loadmake/break operation and a visible disconnect. Components can be isolated with insulated caps, plugs and parking bushings.

Optional accessories allow system grounding, testing, bypass, lightning surge protection and current limiting fusing. Additional connecting points and taps can be provided by use of junctions or feed-thrus.



RATINGS OVERVIEW

See page 2 for complete information including switching and fault close ratings.

CURRENT RATINGS

200A Continuous
10kA sym. 10 Cycles

VOLTAGE RATINGS 15kV Class

8.3kV Phase-to-Ground
14.4kV Phase-to-Phase
95kV BIL
34kV AC Withstand
53kV DC Withstand
11kV Corona Extinction

25kV Class

15.2kV Phase-to-Ground
26.3kV Phase-to-Phase
125kV BIL
40kV AC Withstand
78kV DC Withstand
19kV Corona Extinction

35kV Class

21.1kV Phase-to-Ground
36.6kV Phase-to-Phase
150kV BIL
50kV AC Withstand
103kV DC Withstand
26kV Corona Extinction

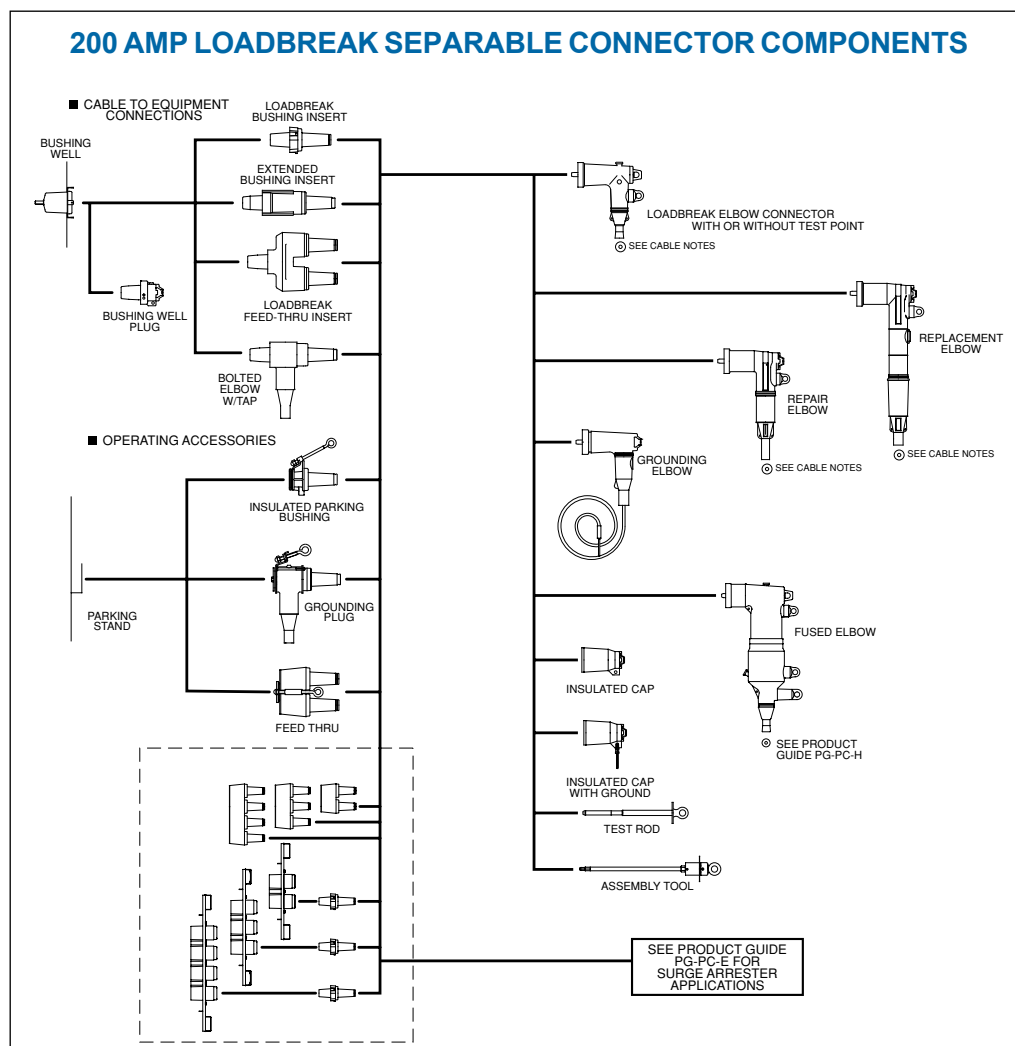
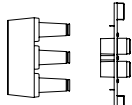


Illustration (not to scale)	Description	Voltage Class	ELASTIMOLD Part Number	Notes
	Elbow Connector	15kV	165LR-W5X Use Tables W1 and X1	N2,3,4,5
		25kV	275LR-W5X Use Tables W16 and X1	N2,3,4,5
		35kV	375LR-W5X Use Tables W3 and X2	N2,3,5
	Elbow Connector w/ Test Point	15kV	166LR-W5X Use Tables W1 and X1	N2,3,4,5, 24
		25kV	276LR-W5X Use Tables W16 and X1	N2,3,4,5, 24
		35kV	376LR-W5X Use Tables W3 and X2	N2,3,5,24
	Jacket Seal Elbow Connector	15kV	165LRJS-W5X Use Tables W1 and X1	N2,19
		25kV	275LRJS-W5X Use Tables W16 and X1	N2,19
	Jacket Seal Elbow Connector w/ Test Point	15kV	166LRJS-W5X Use Tables W1 and X1	N2,19,24
		25kV	276LRJS-W5X Use Tables W16 and X1	N2,19,24
	Repair Elbow Connector	15kV	167ELR-W5X Use Tables W5 and X1	N5,10,18
		25kV	273ELR-W5X Use Tables W5 and X1	N5,10,18
	Repair Elbow Connector w/ Test Point	15kV	168ELR-W5X Use Tables W5 and X1	N5,10,18, 24
		25kV	274ELR-W5X Use Tables W5 and X1	N5,10,18, 24
	Replacement Elbow	15kV	167RLR-W5X Use Tables W4 and X1	N5,11,13
		25kV	273RLR-W5X Use Tables W2 and X1	N5,11,13
	Replacement Elbow w/ Test Point	15kV	168RLR-W5X Use Tables W4 and X1	N5,11,13, 24
		25kV	274RLR-W5X Use Tables W2 and X1	N5,11,13, 24
	Direct Test Elbow Connector	15kV	167DLR-W5X Use Tables W4 and X1	N2,5,22
		25kV	273DLR-W5X Use Tables W2 and X1	N2,5,22
	Direct Test Repair Elbow Connector	15kV	167DELR-W5X Use Tables W5 and X1	N5,10,18,22
		25kV	273DELR-W5X Use Tables W5 and X1	N5,10,18,22
	Direct Test Repair Elbow Connector w/Test Point	15kV	168DELR-W5X Use Tables W5 and X1	N5,10,18,22, 24
		25kV	274DELR-W5X Use Tables W5 and X1	N5,10,18,22, 24
	Fused Elbow (Full Range Current Limiting)	15kV	168FLR H-W0X	
		25kV	274FLR H-W0X See Product Guide PG-PC-H	
	Bolted Elbow w/ Tap	15kV	167LRT-W5X Use Tables W4 and X1	N17
	Bushing Insert	15kV	1601A4	N4,8,20
		25kV	2701A4	N4,8,20
		35kV	3701A4 3701A3	N6,21 N8,21
	Extended Bushing Insert	15kV	1601EA4	N8,20
		25kV	2701EA4	N8,20
	Feed-Thru Insert	15kV	1602A3R	N16
		25kV	2702A1	N16
	Insulated Cap	15kV	160DR	N9
		25kV	160DRG	N9
	Insulated Cap w/ Ground	15kV	167DRG	N7,9
		25kV	273DRG	N7,9
		35kV	375DRG	N7,9

Illustration (not to scale)	Description	Voltage Class	ELASTIMOLD Part Number	Notes
	Insulated Cap w/ Ground and Test Point	15kV	168DRG	N7
		25kV	274DRG	N7
		35kV	376DRG	N7
	Grounding Plug (1/0 AWG x 6' Ground Lead)	15kV	161GP	
		25kV	272GP	
	Grounding Elbow (1/0 AWG x 6' Ground Lead)	15kV	160GLR	N12
		25/35kV	370GLR	
	Feed-Thru	15kV	164FT	N6
		25kV	274FT	
		35kV	371FT 373FT	
	Feed-Thru Vertical	15kV	164FTV	
		25kV	274FTV	
	Adjustable Bracket 2-point Feed-Thru	15kV	164FT2-AB	N23
		25kV	274FT2-AB	N23
		35kV	373FT2-AB	N23
	Adjustable Bracket 3-point Feed-Thru	15kV	164FT3-AB	N23
		25kV	274FT3-AB	N23
		35kV	373FT3-AB	N23
	Adjustable Bracket 4-point Feed-Thru	15kV	164FT4-AB	N23
		25kV	274FT4-AB	N23
		35kV	373FT4-AB	N23
	Feed-Thru Well	15/25kV	K1601WFT	
		15/25kV	K1601WFTV	
	Insulated Parking Bushing	15kV	161SOP	N20
		25kV	272SOP	N20
		35kV	372SOP	N21
	Test Rod	15kV	164SOP	N20,23
		25kV	274SOP	N20,23
	Bushing Well Plug	15/25kV	276BWP	
		35kV	M276BWP	
	Assembly Tool	ALL	200AT	N8

- N1. Copper lug for use on COPPER CONDUCTOR ONLY.
- N2. W5X indicates that the part number includes 02500X long bi-metal compression lug as standard. For an all-copper lug, replace W5X with W2X in Table X1 to specify the all-copper 02702X lug.
- N3. Also available as housing only. Specify: 165BLR-W; 275BLR-W; 375BLR-W; 166BLR-W; 276BLR-W; 376BLR-W.
- N4. Also available as elbow/insert combination. Specify: 165A4-WX; 275A4-WX; 166A4-WX; 276A4-WX.
- N5. Also available with 200ECS jacket seal included. Add - "S" suffix to part number.
- N6. Rated for single-phase applications only.
- N7. Equipped with insulated cuff.
- N8. Includes internal torquing feature using 200AT Assembly Tool.
- N9. Also available without probe. Specify "A" suffix - Example: 273DRGA.
- N10. Repair elbow has extended length contact and elbow housing resulting in a net gain of 3-1/4" in length.
- N11. Replacement elbow has extended length contact and elbow housing resulting in a net gain of 8-7/8" in length.
- N12. Rated for 25kV thru 35kV applications.
- N13. Includes long bi-metal contact 00400X.
- N14. 160CA Cable Size Adapter can only be used with elbow part numbers 165LR/166LR C size only.
- N16. Fully rotatable for 360° positioning. Includes bail assembly to secure feed-thru insert to bushing well.
- N17. Includes 02800X bi-metal contact.
- N18. Includes 02509X long bi-metal contact.
- N19. Includes built-in jacket seal. Also available as housing only — specify: 165BLRJS-W, 166BLRJS-W, 275BLRJS-W or 276LRJS-W. Also available as elbow/insert combination — specify: 165JSA4-W5X, 166JSA4-W5X, 275JSA4-W5X or 276JSA4-W5X.
- N20. Includes a yellow seating indicator and vent ring.
- N21. Includes a black vent ring.
- N22. Direct Test Connectors, along with a 200TC-X series meter adapter, a properly rated voltage meter and Hot-line Stick provides a means for direct conductor voltage testing.
- N23. With stainless steel bracket.
- N24. Test Point Cap Cat# 156-7



**CONTACTS, PROBES, PLUGS,
CABLE ADAPTERS AND JUNCTIONS
CONTINUED ON PAGE 7.**

Refer to the **W** and **X** tables on pages 38 and 39 for sizing to cable insulation diameter and conductor size.

For cable shield adapters and jacket seals, see page 28.

Separable Connectors
200A Loadbreak

RATINGS OVERVIEW

See page 2 for complete information including switching and fault close ratings.

CURRENT RATINGS

200A Continuous
10kA sym. 10 Cycles

VOLTAGE RATINGS

15kV Class
8.3kV Phase-to-Ground
14.4kV Phase-to-Phase
95kV BIL
34kV AC Withstand
53kV DC Withstand
11kV Corona Extinction

25kV Class

15.2kV Phase-to-Ground
26.3kV Phase-to-Phase
125kV BIL
40kV AC Withstand
78kV DC Withstand
19kV Corona Extinction

35kV Class

21.1kV Phase-to-Ground
36.6kV Phase-to-Phase
150kV BIL
50kV AC Withstand
103kV DC Withstand
26kV Corona Extinction

200 AMP LOADBREAK SEPARABLE CONNECTOR COMPONENTS

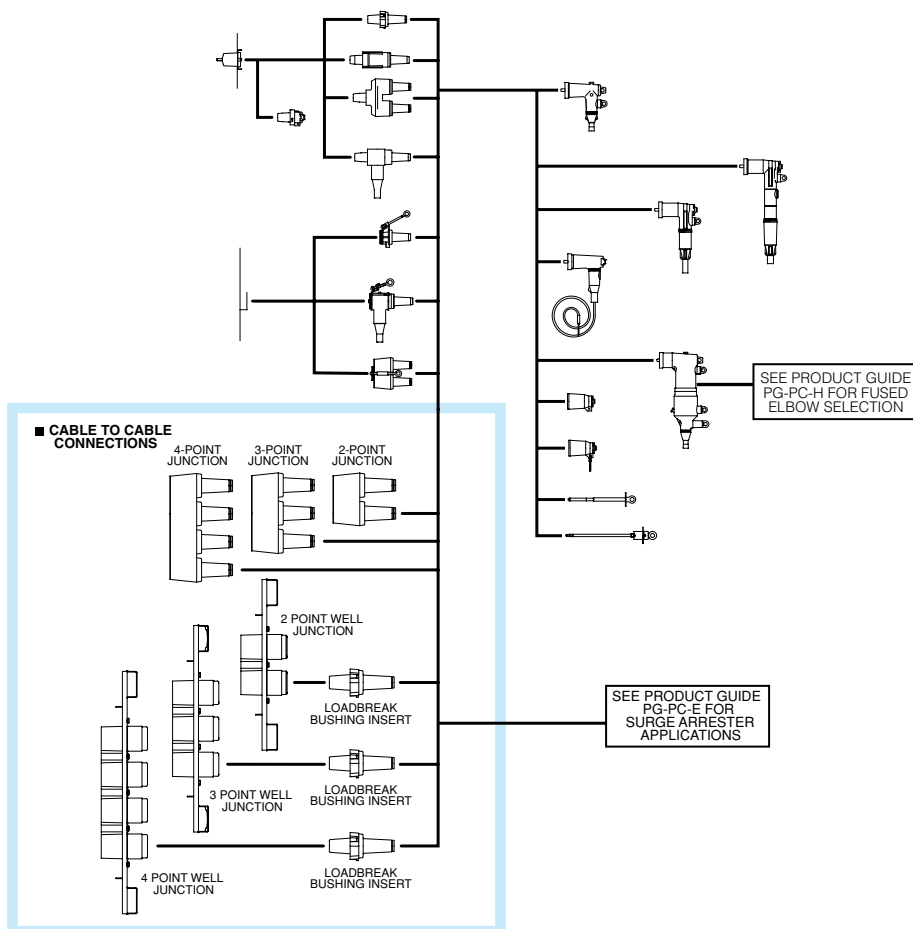


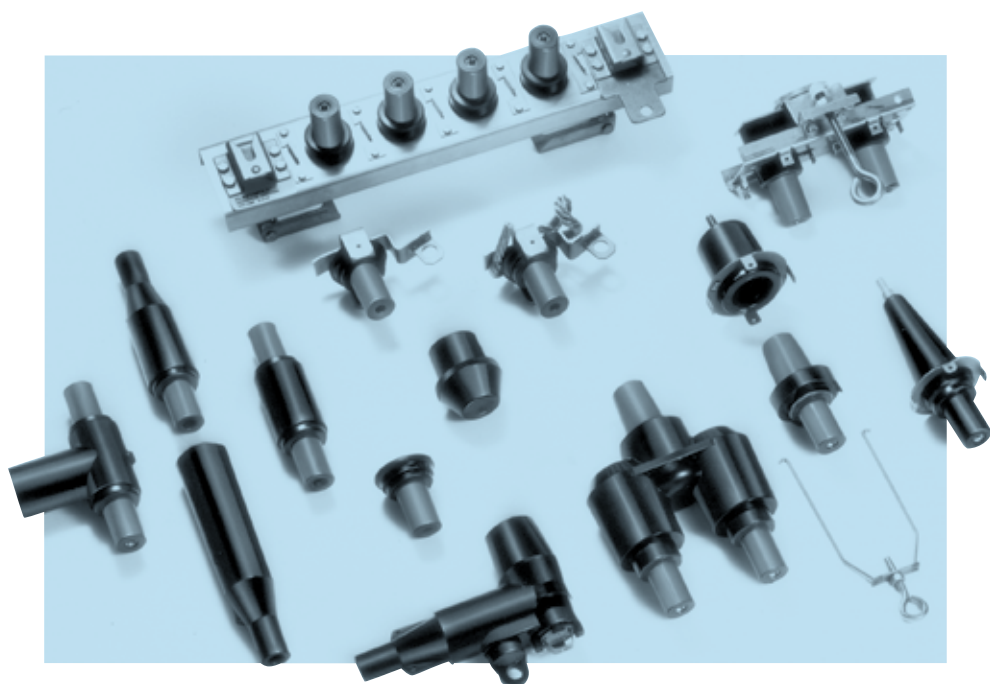
Illustration (not to scale)	Description	Voltage Class	ELASTIMOLD Part Number	Notes
	Contacts: Long Bi-Metal ELR Bi-Metal Copper LRT Contact RLR Contact	ALL 15/25kV ALL 15kV 15/25kV	Use Table X1 02500X 02509X 02702X 02800X 00400X	N1 N2 N3
	Elbow Probe	15kV 25kV 35kV	166LRF 274LRF 375LRF	
	Elbow Cable Entrance Insulating Plug	ALL	10EPW Use Table W6	
	Cable Size Adapter	15kV	160CA-W Use Table W6 EB-FA Only	N4
	Direct Voltage Test Meter Adapter for: <i>HD Electric Meters</i>	ALL	200TC-1	N14
	<i>Ross Meters</i>		200TC-2	N14
	<i>Chance Meters</i>		200TC-4	N14
	2-Way Well Junction w/ s.s. Bracket	15/25kV	K1601WJ2	N6
	2-Way Well Junction w/ "U" Straps	15/25kV	K1601WJ2-5	N5, 6, 11
	3-Way Well Junction w/ s.s. Bracket	15/25kV	K1601WJ3	N6
	3-Way Well Junction w/ "U" Straps	15/25kV	K1601WJ3-5	N5, 6, 12
	4-Way Well Junction w/ s.s. Bracket	15/25kV	K1601WJ4	N6
	4-Way Well Junction w/ "U" Straps	15/25kV	K1601WJ4-5	N5, 6, 13
	2-Point Junction with/stainless steel bracket	15kV 25kV 35kV	164J2 274J2 373J2	N7 N7 N7
	2-Point Junction w/"U"-straps	15kV 25kV 35kV	164J2-5 274J2-5 373J2-5	N5, 8 N5, 11 N5, 11
	3-Point Junction with/stainless steel bracket	15kV 25kV 35kV	164J3 274J3 373J3	N7 N7 N7
	3-Point Junction with/stainless steel bracket	15kV 25kV 35kV	164J3 274J3 373J3	N7 N7 N7
	3-Point Junction w/"U"-straps	15kV 25kV 35kV	164J3-5 274J3-5 373J3-5	N5, 9 N5, 12 N5, 12
	4-Point Junction with/stainless steel bracket	15kV 25kV 35kV	164J4 274J4 373J4	N7 N7 N7
	4-Point Junction with/stainless steel bracket	15kV 25kV 35kV	164J4 274J4 373J4	N7 N7 N7
	4-Point Junction w/"U"-straps	15kV 25kV 35kV	164J4-5 274J4-5 373J4-5	N5, 10 N5, 13 N5, 13

- N1. Repair elbow has extended length contact and elbow housing resulting in a net gain of 3/4" in length.
- N2. Copper lug for use on COPPER CONDUCTOR ONLY.
- N3. Replacement elbow has extended length contact and elbow housing resulting in a net gain of 8% in length.
- N4. 160CA Cable Size Adapter can only be used with elbow part numbers 165LR/166LR C size only.
- N5. Also available as rubber only, without straps. Specify suffix "-4" in place of "-5" in the part number.
- N6. Supplied with replaceable stud. Replacement stud available separately. Specify 1000-150.
- N7. Hardware packages, consisting of brackets & straps only, may be ordered separately by specifying "-6" in the part number. Example 164J4-6
- N8. Hardware package, consists of "U"-straps and back plate only, may be ordered separately by specifying 1601US-J2.
- N9. Hardware package, consists of "U"-straps and back plate only, may be ordered separately by specifying 1601US-J3.
- N10. Hardware package, consists of "U"-straps and back plate only, may be ordered separately by specifying 1601US-J4.
- N11. Hardware package, consists of "U"-straps and back plate only, may be ordered separately by specifying 271-68.
- N12. Hardware package, consists of "U"-straps and back plate only, may be ordered separately by specifying 271-61.
- N13. Hardware package, consists of "U"-straps and back plate only, may be ordered separately by specifying 271-70.
- N14. For use with Direct Test Connectors.

200 Amp deadbreak connectors and accessories provide a quick disconnect feature for cable and equipment connections on power distribution systems.

All deadbreak connectors must be DE-ENERGIZED before operating and must be mechanically secured with bails when connected. Components can be isolated with insulated caps, plugs and parking bushings.

All deadbreak elbows are equipped with test points as standard. Optional accessories allow system grounding, bypass and lightning surge protection. Additional connecting points and taps can be provided by use of junctions or feed-thrus.



Separable Connectors
200A Loadbreak

RATINGS OVERVIEW

See page 2 for complete information.

CURRENT RATINGS

200A Continuous
10kA sym. 10 Cycles

VOLTAGE RATINGS

15kV Class

8.3kV Phase-to-Ground
14.4kV Phase-to-Phase
95kV BIL
34kV AC Withstand
53kV DC Withstand
11kV Corona Extinction

25kV Class

15.2kV Phase-to-Ground
26.3kV Phase-to-Phase
125kV BIL
40kV AC Withstand
78kV DC Withstand
19kV Corona Extinction

200 AMP DEADBREAK SEPARABLE CONNECTOR COMPONENTS

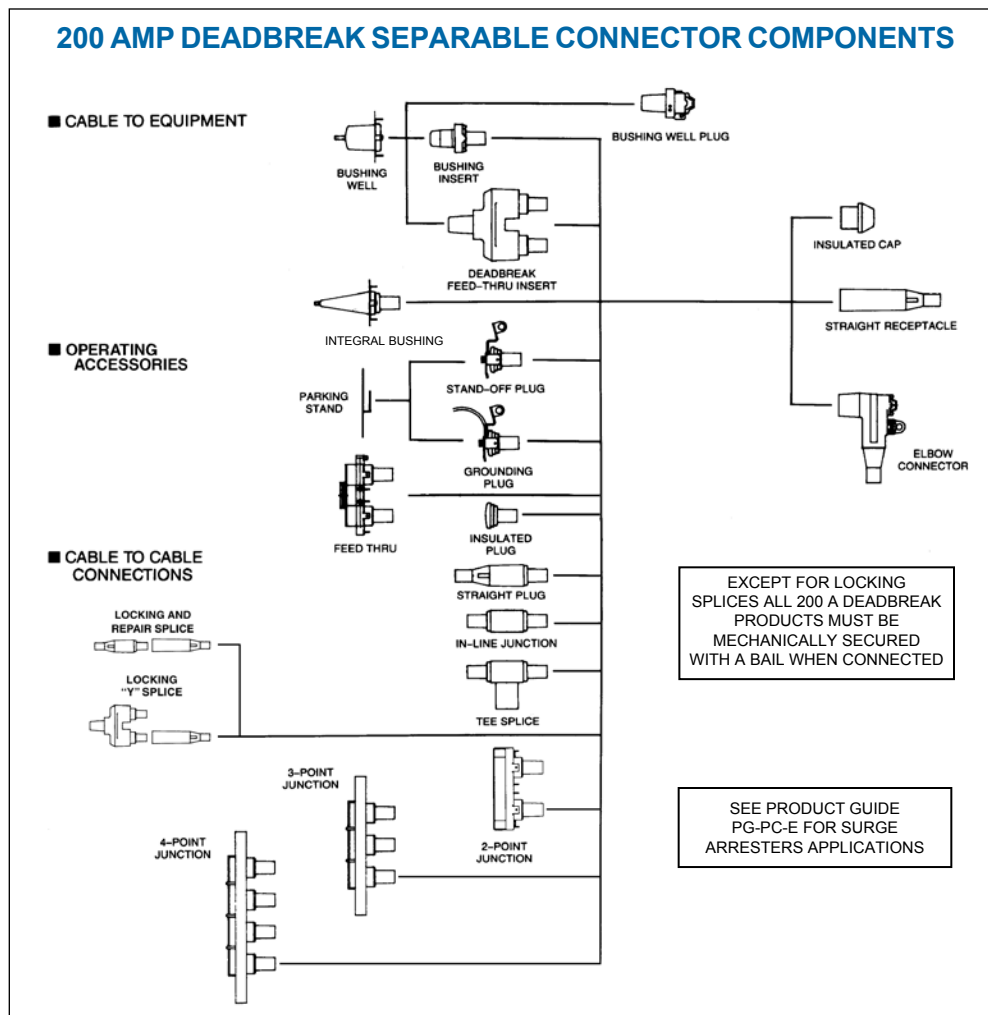


Illustration (not to scale)	Description	Voltage Class	ELASTIMOLD Part Number	Notes
	Elbow Connector w/ Test Point	15/25kV	156LR-W5X Use Tables W4 and X1	N1,2
	Direct Test Elbow Connector	15/25kV	156DLR-W5X Use Tables W4 and X1	N1,2,22
	Bail Assembly for 156LR Elbow	15/25kV	150BA	
	Bushing Insert	15/25kV	K1501A1	N3
	Feed-thru Insert	15/25kV	K1502A1	N3,4
	Insulated Plug	15/25kV	K150DP	N3
	Insulated Cap	15/25kV	K150DR	N3
	Insulated Parking Bushing	15/25kV	K151SOP	N3
	Grounding Plug	15/25kV	151GP	N3
	Feed-Thru	15/25kV	K1501FT	N3,6
	2-Point Junction	15/25kV	K1501J2-U	N3,6
	3-Point Junction	15/25kV	K1501J3-U	N3,6
	4-Point Junction	15/25kV	K1501J4-U	N3,6
	Elbow Probe	15/25kV	156LRF	
	Straight Receptacle	15/25kV	K151SR-W0X Use Tables W1 and X1	N3,12,13,17,18
	Straight Plug	15/25kV	K151SP-W0X Use Tables W1 and X1	N3,12,13,19
	Tee Splice	15/25kV	K150T	N3
	In-Line Junction	15/25kV	K150S	N3
	Locking Splice/Repair Splice	15/25kV	K151LS-W0X Use Tables W1A and X1	N8,9,13,15,16,17,20,23
	Locking "Y" Splice	15/25kV	K151LY-W0X Use Tables W1A and X1	N8,9,13,15,17,21
	BAIL	15/25kV	150TB1	N5
	BAIL	15/25kV	150TB2	N5
	BAIL	15/25kV	150TB3	N5

Illustration (not to scale)	Description	Voltage Class	ELASTIMOLD Part Number	Notes
	BAIL	15/25kV	150TB4	N5
	BAIL	15/25kV	150TB5	N5
	Contacts: Long Bi-Metal Copper	15/25kV 15/25kV	02500X 02702X	N7
	Elbow Cable Entrance Insulating Plug	15/25kV	10EP-W Use Table W6	N10
	Cable Entrance Insulating Plug	15/25kV	152EA-W Use Table W6	N11
	Cable Size Adapter	15/25kV	160CA-W Use Table W6 EB-FA Only	N14

- N1. Includes bail assembly.
- N2. W5X indicates that the part number includes a 02500X bi-metal compression lug, which is rated for either aluminum or copper conductor, as standard. For an all-copper lug, replace W5X with W2X in Table X1 to specify the all-copper 02702X lug.
- N3. Bails are required but not included. Order separately. Consult factory for bails not listed for a specific application.
- N4. Fully rotatable for 360° positioning. Includes bail assembly to secure feed-thru insert to bushing well. Elbows bail assemblies are required but not included with the feed-thru insert.
- N5. Refer to factory for application details.
- N6. Center-to-center spacing equals 4 inches.
- N7. Copper lug for copper cable only.
- N8. To order cable legs for different cable sizes, list each leg size "W" and "X". Example: K151LY-A1240-A1240-B1220. See Tables W1 and X1 for sizes.
- N9. To order locking contacts for K151LS and K151LY, order 01401X (Al) or 01402X (Cu) for plug contact. Order 01301X (Al) or 01302X (Cu) for receptacle. See Table X1 for sizes.
- N10. For use with 156LR elbows.
- N11. For use with K151SR, K151SP, K151LS, K151LY receptacles, plugs and splices.
- N12. Also available as housing only. Specify K151BSP-W or K151BSR-W.
- N13. Also available in EB-FA sizes per table W6 by using 160CA cable adapter with C size plugs & receptacles.
- N14. 160CA cable adapter can only be used with C size plugs & receptacles.
- N15. Bails are not required for locking splices.
- N16. When used as a repair splice, the assembled length allows 4" for cable replacement/repair.
- N17. Straight receptacles are also available with test point. Specify K152SR-W0X part number.
- N18. W0X indicates that the part number includes a 01500X universal aluminum compression lug, which is rated for either aluminum or copper, as standard. For an all-copper lug, replace W0X with W2X in Table X1 to specify the all-copper 01502X lug.
- N19. W0X indicates that the part number includes a 01600X universal aluminum compression lug, which is rated for either aluminum or copper, as standard. For an all-copper lug, replace W0X with W2X in Table X1 to specify the all-copper 01602X lug.
- N20. W0X indicates that the part number includes a 01400X universal aluminum compression lug, which is rated for either aluminum or copper, as standard. For an all-copper lug, replace W0X with W2X in Table X1 to specify the all-copper 01402X lug.
- N21. W0X indicates that the part number includes a 01300X universal aluminum compression lug, which is rated for either aluminum or copper, as standard. For an all-copper lug, replace W0X with W2X in Table X1 to specify the all-copper 01302X lug.
- N22. Direct Test Connectors, along with a 200TC-X series meter adapter, a properly rated voltage meter and Hot-line Stick provides a means for direct conductor voltage testing. See page 7 for meter adapters.
- N23. Gains approximately 4" of repair length.

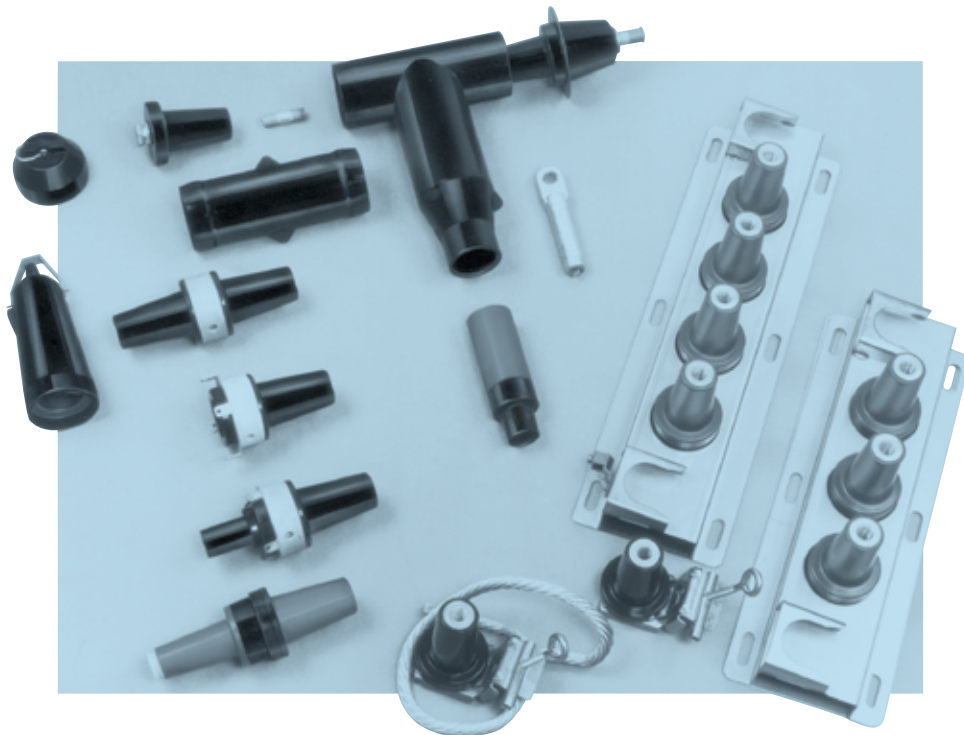
Refer to the **W** and **X** tables on pages 38 and 39 for sizing to cable insulation diameter and conductor size.

For cable shield adapters and jacket seals, see page 28.

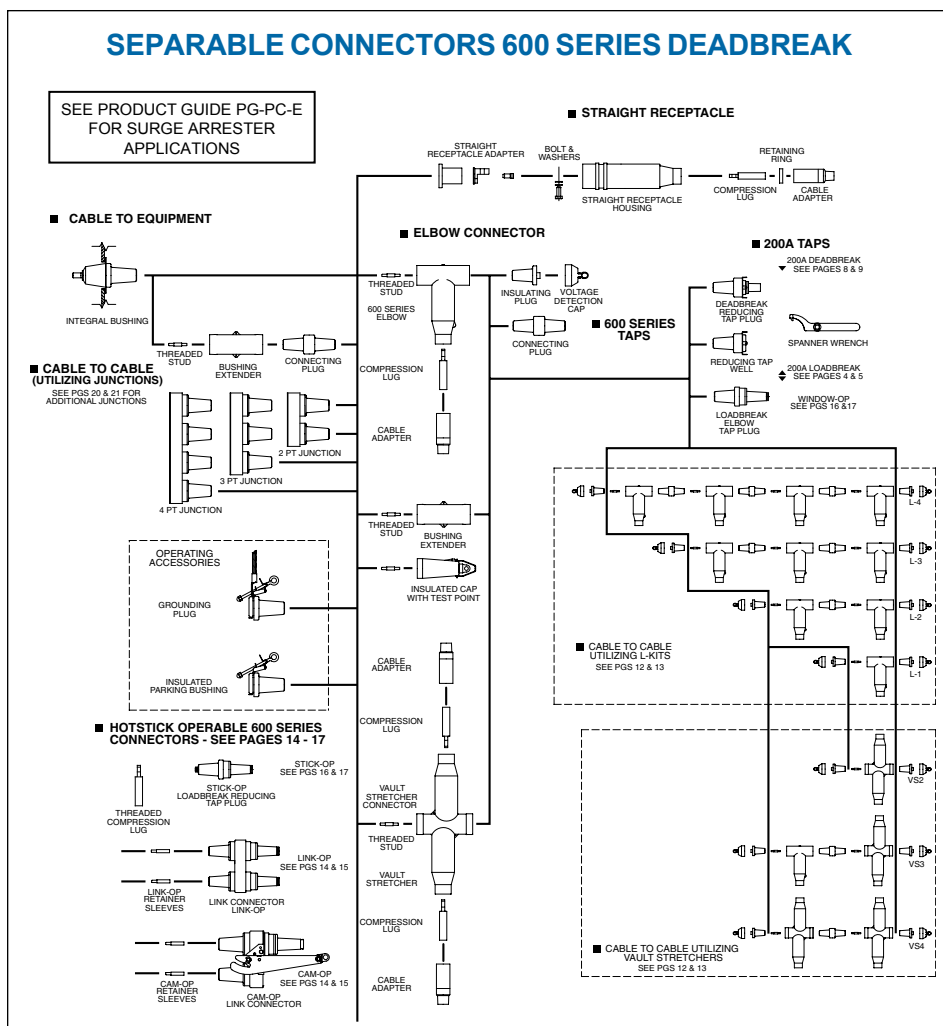
600 Series deadbreak elbows, straight receptacles, junctions, vault stretchers and accessories are used to connect equipment and cable on primary feeder and network circuits. Designs accommodate large conductors and feature bolted connections and deadfront modular construction for maximum reliability, performance and versatility.

DE-ENERGIZED connectors can be quickly and easily connected and disconnected using standard hand tools and equipment in accordance with accepted operating practices. Optional accessories allow visible external separation, by-pass, isolation, dead-ending, grounding, and testing as well as adding taps, surge arresters and circuit protection.

Hotstick operable and separable joint systems are shown on pages 14 thru 19.



SEPARABLE CONNECTORS 600 SERIES DEADBREAK



RATINGS OVERVIEW

See page 2 for complete information.

CURRENT RATINGS

(Prefixes: 650, K650, K655, K656, 750, 755, 756 & 03700)

600 Amp Continuous
25kA sym., 10 cycles

(Prefixes 675, K675, K676, 775, 776 & 03702)

900 Amp Continuous
25kA sym., 10 cycles

NOTE: 900 Amp ratings require copper cable and copper current-carrying components.

VOLTAGE RATINGS

15/25kV Class (5kV thru 28kV)

16.2kV Phase-to-Ground

28kV Phase-to-Phase

140kV BIL

45kV AC Withstand

84kV DC Withstand

21.5kV Corona Extinction

35kV Class

21.1kV Phase-to-Ground

36.6kV Phase-to-Phase

150kV BIL

50kV AC Withstand

103kV DC Withstand

26kV Corona Extinction

Note: Elastimold has increased the IEEE Standard Production and Design Test levels for 25kV Class products to include 27kV and 28kV systems.

Illustration (not to scale)	Description	Voltage Class	ELASTIMOLD Part Number	Notes
	600 Series Elbow (w/ Insul. Plug, Cap, Stud, Lug and Cable Adapter)	15/25kV 35kV	K655LR-W0X Use Tables W7 and X6 755LR-W0X Use Tables W9 and X6	N1,2,12 N1,2,12
	600 Series Direct Test Elbow (w/ Insul. Plug, Cap, Stud Lug and Cable Adapter)	15/25kV 35kV	K655DLR-W0X 755DLR-W0X	N1,2,12,14 N1,2,12,14
	600 Series Elbow w/ Test Point (w/ Insul. Plug, Cap, Stud, Lug and Cable Adapter)	15/25kV 35kV	K656LR-W0X Use Tables W7 and X6 756LR-W0X Use Tables W9 and X6	N1,2,12 N1,2,12
	600 Series Direct Test Elbow w/Test Point (w/ Insul. Plug, Cap, Stud, Lug and Cable Adapter)	15/25kV 35kV	K656DLR-W0X Use Tables W7 and X6 756DLR-W0X Use Tables W9 and X6	N1,2,12,14 N1,2,12,14
	600 Series Elbow Housing only (w/ Stud)	15/25kV 35kV	K655BLR 755BLR	N1,3 N1,3
	600 Series Elbow w/ Test Point Housing only (w/ Stud)	15/25kV 35kV	K656BLR 756BLR	N1,3 N1,3
	600 Series Replacement Elbow Housing only w/o Test Point	15/25kV	K655BRLR	N16
	600 Series Replacement Elbow Housing only w/ Test Point	15/25kV	K656BRLR	N16
	600 Series Straight Receptacle (w/ Cable Adapter, Lug & Retaining Ring)	15/25kV	K655SR-W0X Use Tables W7 and X6	N1,2,11
	600 Series Direct Test Straight Receptacle Elbow	15/25kV	K655DSR-W0X Use Tables W7 and X6	N1,2,11,14
	600 Series Straight Receptacle Housing (Lug & Cable Adapter not included)	15/25kV	K655BSR	N1,11
	Straight Receptacle Adapter	15/25kV	K650SRA	N1,4
	600 Series Vault Stretcher (Housing only w/ Stud)	15/25kV 35kV	K655BVS 755BVS	N1,9 N1,9
	Cable Size Adapter	15/25kV 35kV	655CA-W Use Table W7 755CA-W Use Table W9	
	Compression Lug	ALL ALL	03700X Use Table X6 03702X Use Table X6	N5 N6
	600 Series Elbow & Vault Stretcher Size Sensitive Kit (Cable Adapter & Lug)	15/25kV 35kV	655CK-W0X Use Tables W7 and X6 755CK-W0X Use Tables W9 and X6	N2 N2
	Adapter Retaining Ring	ALL	650ARR-X Use Table X6	
	600 Series Straight Receptacle Size Sensitive Kit (Cable Adapter, Retaining Ring & Lug)	15/25kV	655CK-W0X-ARR Use Tables W7 and X6	N2
	Bushing Extender (w/ Stud)	15/25kV 35kV	K655BE 755BE	N1,3 N1,3
	Insulated Cap w/ Test Point (w/ Stud)	15/25kV	K656DR	N3,7
	Insulated Cap w/ Test Point (w/ Stud & Ground)	15/25kV	K656DRG	N3,7

Illustration (not to scale)	Description	Voltage Class	ELASTIMOLD Part Number	Notes
	Insulating Plug (w/ Cap)	15/25kV 35kV	K650BIP 750BIP	N1,7,8 N1,7,8
	Grounding Plug (Ground Lead 2/0 AWG x 30")	15/25kV 35kV	650GP 750GP	N1,7,8 N1,7,8
	Insulated Parking Bushing	15/25kV 35kV	K650SOP 750SOP	N7,8 N7,8
	Connecting Plug	15/25kV 15/25kV 35kV	K650CP K651CP 750CP	N1,7,8,9,13 N1,7,8,10 N1,7,8,10
	Deadbreak Reducing Tap Plug	15/25kV	K650RTP	N1,7,8,9
	Reducing Tap Well	15/25kV	K650RTW	N1,7,8,9
	Loadbreak Elbow Tap Plug	15kV 25kV 35kV	650ETP K650ETP 750ETP	N1,7,8,10,12 N1,7,8,10,12 N1,7,8,10,12
	Vault Stretcher Threaded Stud	15/25kV 35kV	650VSA 750VSA	N1 N1
	600 Series Elbow Threaded Stud	15/25kV 35kV	650SA 750SA	N1 N1
	Assembly Tool (Window-Op)	ALL	600ATM	N12
	Spanner Wrench	ALL	600SW	N9
	Direct Voltage Test Meter Adapter for: <i>HD Electric Meters</i> <i>Ross Meters</i> <i>Chance Meters</i>	ALL	200TC-1 200TC-2 200TC-4	N14 N14 N14

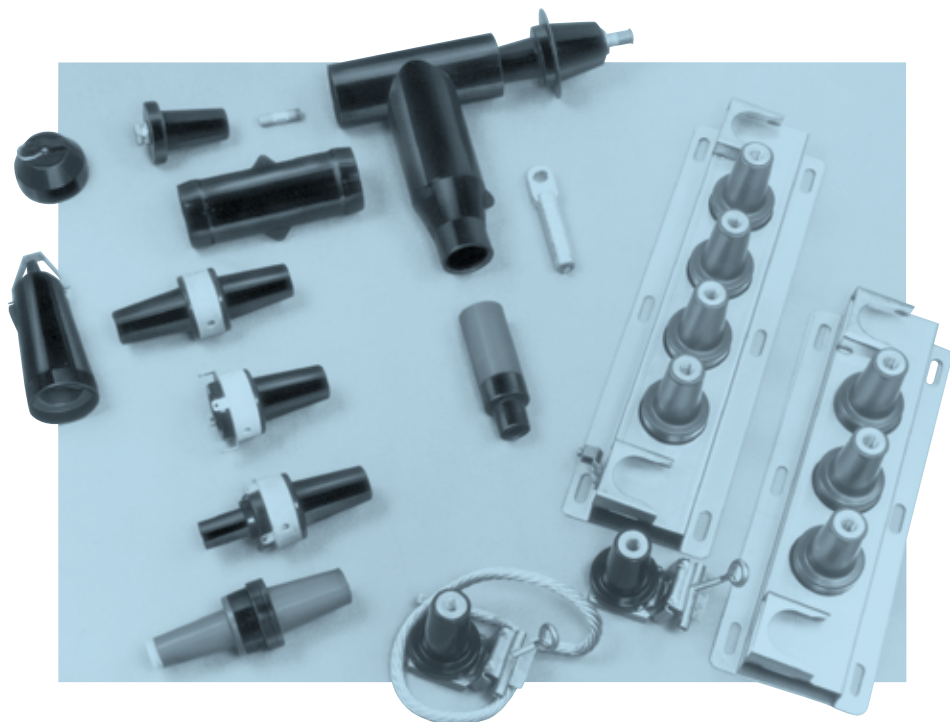
- N1. For 900 Amp ratings, substitute 675 for 650 and 655; 676 for 656; K671 for K651; K675 for K650 and K655; K676 for K656; 775 for 750 and 755; 776 for 756 and 2X for 0X in the part number. The 900 Amp rating requires copper current-carrying connector components and copper conductor cable.
- N2. Add suffix symbol from page 29 to include cable shield grounding kit and/or cable jacket sealing kit.
- N3. Available without the stud by adding "N" to the part number.
- N4. Straight Receptacle Adapter is used to connect Straight Receptacles K655YBSR and K655YSR-W0X (Pg. 19) to equipment bushings.
- N5. Aluminum lug for use on aluminum or copper conductors. DO NOT substitute threaded 03600X lug.
- N6. Copper lug for use on COPPER CONDUCTOR ONLY. DO NOT substitute threaded 03602X lug.
- N7. Available with the stud factory-assembled by adding "SP" to the part number. 675ETP, K675ETP and 775ETP are available as -SP only. The stud is not field removable.
- N8. Available with a loose stud by adding suffix "S" to the part number.
- N9. 600SW spanner wrench is recommended for installation of K650CP connecting plug, deadbreak reducing tap plugs and reducing tap wells.
- N10. Use 600ATM Assembly Tool.
- N11. 600 Series Elbows and Straight Receptacles with IEEE Std. 386 capacitive test points are available by substituting 656 for 655; K656 for K655; K676 for K675; 756 for 755; 676 for 675; K676 for K675 and 776 for 775 in the part number.
- N12. See page 17 for Window-Op Connector Kit.
- N13. Superseded by K651CP.
- N14. Direct Test Connectors, along with a 200TC-X series meter adapter, a properly rated voltage meter and Hot-line Stick; provides a means for direct conductor voltage testing.
- N15. With stainless steel bracket.
- N16. Replacement Elbow includes an I-Adapter, and Straight Receptacle, resulting in a net gain of 20".

Refer to the **W** and **X** tables on pages 38 and 39 for sizing to cable insulation diameter and conductor size.
For cable shield adapters and jacket seals, see page 28.

600 Series deadbreak elbows, straight receptacles, junctions, vault stretchers and accessories are used to connect equipment and cable on primary feeder and network circuits. Designs accommodate large conductors and feature bolted connections and deadfront modular construction for maximum reliability, performance and versatility.

DE-ENERGIZED connectors can be quickly and easily connected and disconnected using standard hand tools and equipment in accordance with accepted operating practices. Optional accessories allow visible external separation, by-pass, isolation, dead-ending, grounding, and testing as well as adding taps, surge arresters and circuit protection.

Hotstick operable and separable joint systems are shown on pages 14 thru 19.



Separable Connectors
200A Loadbreak

RATINGS OVERVIEW

See page 2 for complete information.

CURRENT RATINGS

(Prefixes: 650, K650, K655, K656, 750, 755, 756 & 03700)

600 Amp Continuous
25kA sym., 10 cycles

(Prefixes 675, K675, K676, 775, 776 & 03702)

900 Amp Continuous
25kA sym., 10 cycles

NOTE: 900 Amp ratings require copper cable and copper current-carrying components.

VOLTAGE RATINGS

15/25kV Class (5kV thru 28kV)

16.2kV Phase-to-Ground

28kV Phase-to-Phase

140kV BIL

45kV AC Withstand

84kV DC Withstand

21.5kV Corona Extinction

35kV Class

21.1kV Phase-to-Ground

36.6kV Phase-to-Phase

150kV BIL

50kV AC Withstand

103kV DC Withstand

26kV Corona Extinction

Note: Elastimold has increased the IEEE Standard Production and Design Test levels for 25kV Class products to include 27kV and 28kV systems.

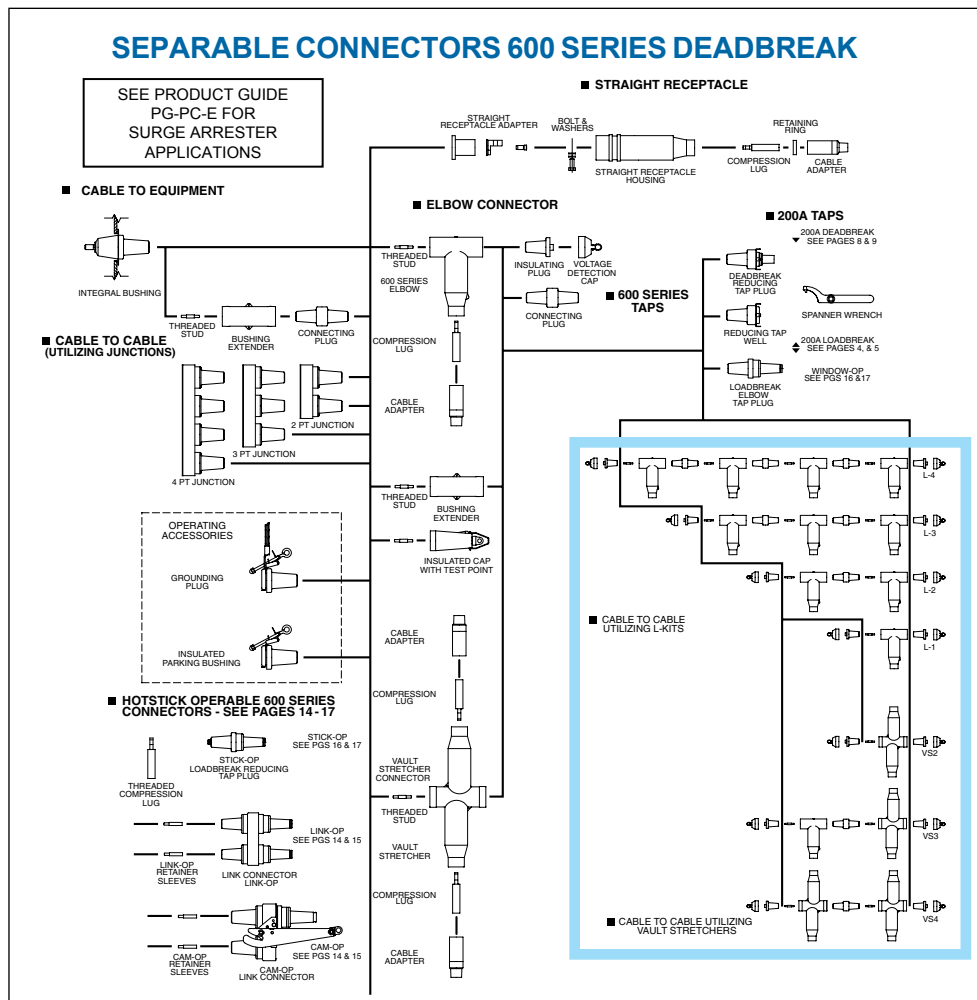


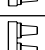
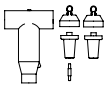
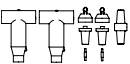
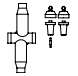
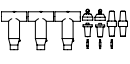
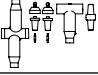
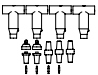
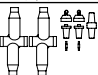

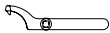
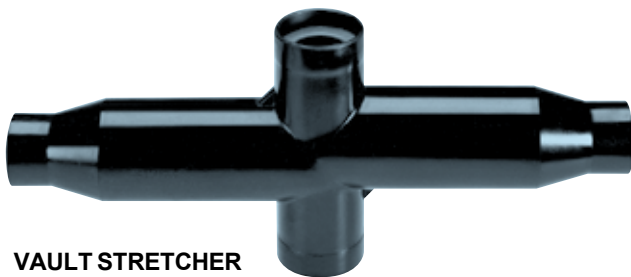


Illustration (not to scale)	Description	Voltage Class	ELASTIMOLD Part Number	Notes
	2-Point Junction	15/25kV 35kV	K650J2 750J2	N1,9,10 N1,9,10
	3-Point Junction	15/25kV 35kV	K650J3 750J3	N1,9,10 N1,9,10
	4-Point Junction	15/25kV 35kV	K650J4 750J4	N1,9,10 N1,9,10
	1-way L-Kit	15/25kV 35kV	K655L1 755L1	N1,2,3,4 N1,2,3,4
	2-way L-Kit	15/25kV 35kV	K655L2 755L2	N1,2,3,4,5,6,7 N1,2,3,4,5,6,7
	2-way VS-Kit	15/25kV 35kV	K655VSL2 755VSL2	N1,2,3 N1,2,3
	3-way L-Kit	15/25kV 35kV	K655L3 755L3	N1,2,3,4,5 N1,2,3,4,5
	3-Way VS Kit	15/25kV 35kV	K655VSL3 755VSL3	N1,2,3,5,6,7 N1,2,3,5,6,7
	4-Way L-Kit	15/25kV 35kV	K655L4 755L4	N1,2,3,4,5 N1,2,3,4,5
	4-Way VS-Kit	15/25kV 35kV	K655VSL4 755VSL4	N1,2,3,5 N1,2,3,5
	Assembly Tool (Window-Op)	ALL	600ATM	N8
	Spanner Wrench	ALL	600SW	N2

- N1. For 900 Amp ratings, substitute 675 for 650 and 655; 676 for 656; K675 for K650 and K655; K676 for K656; 775 for 750 and 755; 776 for 756 and 2X for OX in the part number. The 900 Amp rating requires copper current-carrying connector components and copper conductor cable.
- N2. 600SW spanner wrench is recommended for installation of K650CP connecting plug, deadbreak reducing tap plugs and reducing tap wells.
- N3. L-Kits and VS-Kits do not include cable adapters or compression lugs. These items must be ordered separately.
- N4. 600 Series Elbows and Straight Receptacles with IEEE Std. 386 capacitive test points are available by substituting 656 for 655; K656 for K655; K676 for K675; 756 for 755; 676 for 675; K676 for K675 and 776 for 775 in the part number.
- N5. 600ATM is recommended for installing K651CP and 750CP.
- N6. Can be used as a repair joint. (Gains 3½" of repair length)
- N7. Can be used as a reducing joint for different size cables.
- N8. See page 17 for Window-Op Connector Kit.
- N9. Rubber junction with stainless steel mounting plate and back plate. Add "-U" for rubber junction with stainless steel mounting plate, back plate and adjustable mounting bracket. Add "-4" for rubber junction only. Add "-5" for rubber junction, stainless steel U-straps and back plate.
- N10. Two - six-position multi-point junctions shown on pages 20 and 21.



VAULT STRETCHER

Provides an alternate method of splicing and joining various types and styles of cables using standard 600 Series components.

Refer to the **W** and **X** tables on pages 38 and 39 for sizing to cable insulation diameter and conductor size.

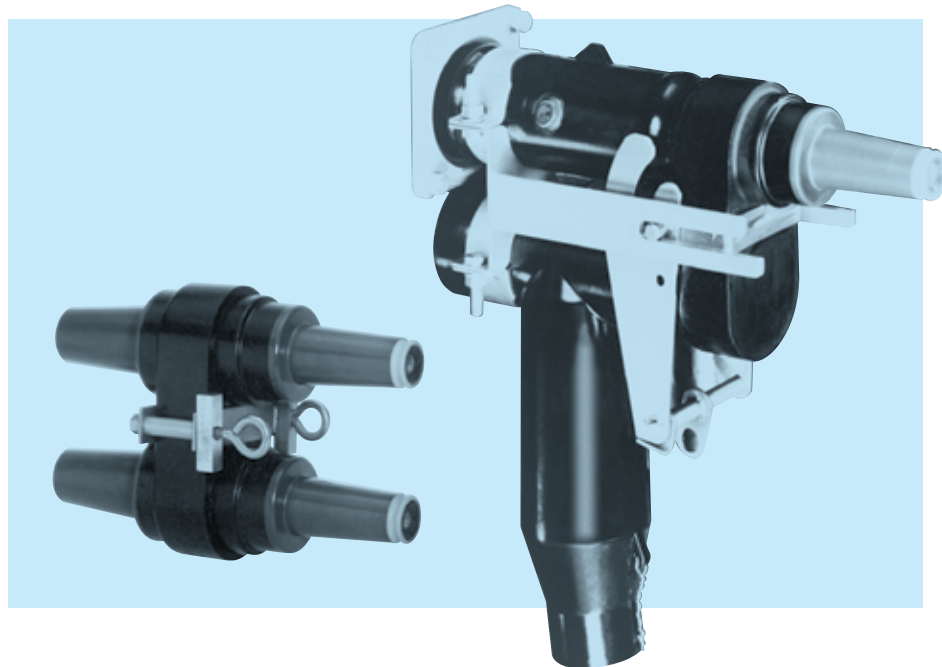
For cable shield adapters and jacket seals, see page 28.

Elastimold's 600 Series Cam-Op™ and Link-Op™ deadbreak connector systems incorporate provisions for hotstick operation of DE-ENERGIZED primary feeder or network circuits. Configurations allow external visible break, testing, grounding and isolation. Retrofit kits allow upgrading existing equipment.

Cam-Op systems utilize pin and socket connectors. Link-Op connectors are bolted and installed using torque controlled tools. Either system can be retrofitted to existing equipment.

The Cam-Op and Link-Op connectors are unique, allowing all hotstick operations to be completed without moving the cable, an important consideration when large, stiff cables prohibit movement.

The Cam-Op connector is easily installed or removed by hotstick operation of the cam action disconnect lever.



Separable Connectors
200A Loadbreak

RATINGS OVERVIEW

See page 2 for complete information.

CURRENT RATINGS

600 & 900 Amp Continuous
25kA sym., 10 cycles

NOTE: 900 Amp ratings require copper cable and copper current-carrying components.

CONTINUOUS VOLTAGE RATINGS

15kV Class
8.3kV Phase-to-Ground
14.4kV Phase-to-Phase
95kV BIL
34kV AC Withstand
53kV DC Withstand
11kV Corona Extinction

25kV Class
15.2kV Phase-to-Ground
26.3kV Phase-to-Phase
125kV BIL
40kV AC Withstand
78kV DC Withstand
19kV Corona Extinction

35kV Class
21.1kV Phase-to-Ground
36.6kV Phase-to-Phase
150kV BIL
50kV AC Withstand
103kV DC Withstand
26kV Corona Extinction

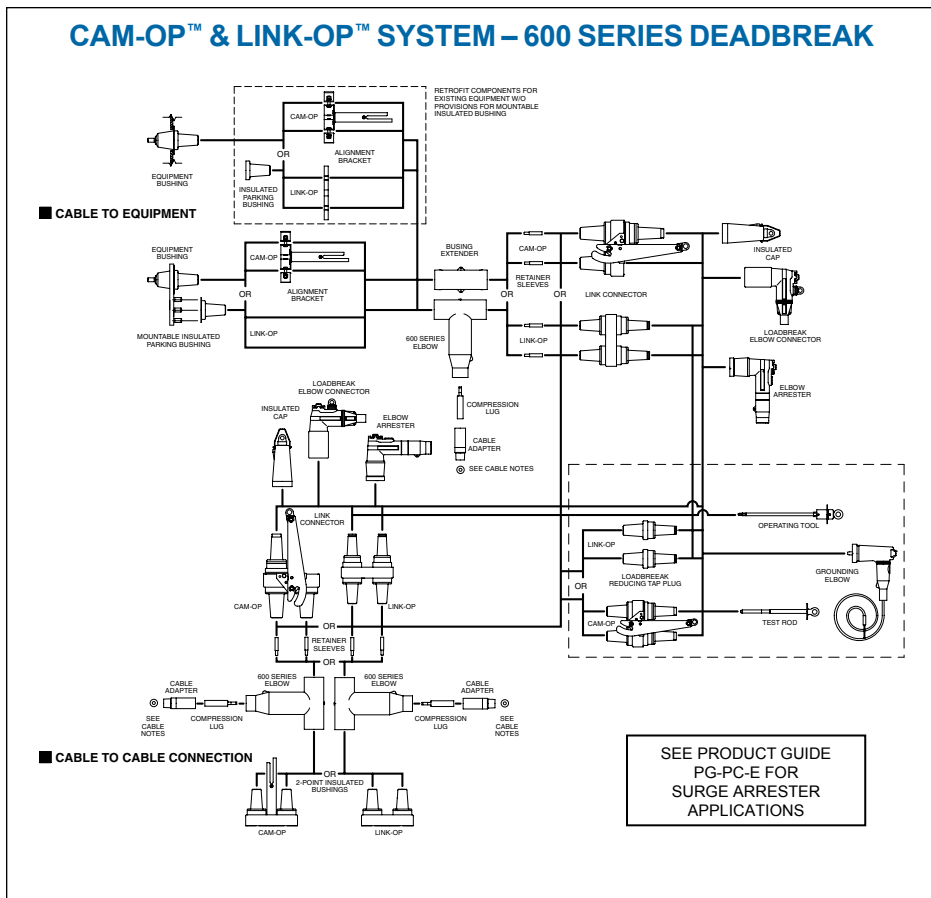


Illustration (not to scale)	Description	Voltage Class	ELASTIMOLD Part Number	Notes
	CAM-OP CONNECTOR KIT	15kV	655LINK-C-LR-W0X-B-DRG Use Tables W7 and X6	N1,3,11, 13,14,18
		25kV	K655LINK-C-LR-W0X-B-DRG Use Tables W7 and X6	
		35kV	755LINK-C-LR-W0X-B-DRG Use Tables W9 and X6	
	LINK-OP CONNECTOR KIT	15kV	655LINK-B-LR-W0X-B-DRG Use Tables W7 and X6	N2,3,11,12 13,14,18
		25kV	K655LINK-B-LR-W0X-B-DRG Use Tables W7 and X6	
		35kV	755LINK-B-LR-W0X-B-DRG Use Tables W9 and X6	
	Mountable Insulated Bushing	25kV 35kV	K650LBM-3 750LBM-3	N3 N3
	RETROFIT CAM-OP CONNECTOR KIT	15kV	655LINK-C-LR-W0X-A-DRG Use Tables W7 and X6	N5,11,13 14,18
		25kV	K655LINK-C-LR-W0X-A-DRG Use Tables W7 and X6	
		35kV	755LINK-C-LR-W0X-A-DRG Use Tables W9 and X6	
	RETROFIT LINK-OP CONNECTOR KIT	15kV	655LINK-B-LR-W0X-A-DRG Use Tables W7 and X6	N6,11,12, 13,14,18
		25kV	K655LINK-B-LR-W0X-A-DRG Use Tables W7 and X6	
		35kV	755LINK-B-LR-W0X-A-DRG Use Tables W9 and X6	
	Insulating Plug	25kV 35kV	K650LB 750LB	N4 N4
	CAM-OP Alignment Bracket	15kV 25kV 35kV	650CAB K650CAB 750CAB	
	LINK-OP Alignment Bracket (Retrofit LINK-OP Only)	ALL ALL	650AB 650ABV	N15 N15
	Compression Lug	ALL	03700X Use Table X6	N7 N8
		ALL	03702X Use Table X6	
	CAM-OP & LINK-OP Size Sensitive Kit (Cable Adapter & Lug)	15/25kV	655CK-W0X Use Tables W7 and X6	N13
		35kV	755CK-W0X Use Tables W9 and X6	N13
	CAM-OP Retaining Sleeve	ALL	650RSC	N11
	LINK-OP Retaining Sleeve	ALL	650RS	N11
	CAM-OP CABLE JOINT KIT	15kV	655BI-LINK-C-LR-W0X-DRG Use Tables W7 and X6	N9,11,13 14,18
		25kV	K655BI-LINK-C-LR-W0X-DRG Use Tables W7 and X6	
		35kV	755BI-LINK-C-LR-W0X-DRG Use Tables W9 and X6	
	LINK-OP CABLE JOINT KIT	15kV	655BI-LINK-B-LR-W0X-DRG Use Tables W7 and X6	N10,11,12, 13,14,18
		25kV	K655BI-LINK-B-LR-W0X-DRG Use Tables W7 and X6	
		35kV	755BI-LINK-B-LR-W0X-DRG Use Tables W9 and X6	
	CAM-OP Loadbreak Reducing Tap Plugs (Visi-Break)	15kV 25kV 35kV	650LK-C-VB K650LK-C-VB 750LK-C-VB	
	CAM-OP LINK	15kV 25kV 35kV	650LK-C K650LK-C 750LK-C	
	LINK-OP Loadbreak Reducing Tap Plug	15kV 25kV 35kV	650LT-B K650LT-B 750LT-B	N11

Illustration (not to scale)	Description	Voltage Class	ELASTIMOLD Part Number	Notes
	Grounding Elbow (1/0 AWG x 6' Ground Lead)	15kV 25kV 35kV	160GLR 370GLR 370GLR	N19 N19
	Test Rod	ALL	370TR	
	Assembly Tool	ALL	600AT	N11
	CAM-OP OPERATING KIT	15kV 25kV 35kV	650CAM-OK K650CAM-OK 750CAM-OK	N16 N16 N16
	LINK-OP OPERATING KIT	15kV 25kV 35kV	650LINK-OK K650LINK-OK 750LINK-OK	N17 N17 N17

- N1. Cam-Op connector kit includes: 1- Cam-Op link; 1- elbow housing; 1- cable adapter; 1-0370 style lug; 1- bushing extender; 2- retainer sleeves; 1- insulated cap; 1- mountable insulated bushing and 1- alignment bracket.
- N2. Link-Op connector kit includes: 1- Link-Op link; 1- elbow housing; 1- cable adapter; 1-0370 style lug; 1- bushing extender; 2- retainer sleeves; 2- insulated caps; and 1- mountable insulated bushing.
- N3. Mountable insulated bushing included with Cam-Op and Link-Op connector kit. Requires 3 threaded studs on equipment faceplate for installation.
- N4. Use with the Retrofit Cam-Op and Retrofit Link-Op connector kit.
- N5. Retrofit Cam-Op connector kit includes: 1- link; 1- elbow housing; 1- cable adapter; 1-0370 style lug; 1- bushing extender; 2- retainer sleeves; 1- insulated cap; 1- insulating plug; and 1- alignment bracket.
- N6. Retrofit Link-Op connector kit includes: 1- link; 1- elbow housing; 1- cable adapter; 1-0370 style lug; 1- bushing extender; 2- retainer sleeves; 2- insulated caps; 1- insulating plug; and 1- alignment bracket.
- N7. Aluminum lug for use on aluminum or copper conductors. DO NOT substitute threaded 03600X lug.
- N8. Copper lug for use on COPPER CONDUCTOR ONLY. DO NOT substitute 03602X threaded lug.
- N9. Cam-Op Cable Joint Kit includes: 1- Cam-Op link; 1- Cam-Op BI-SOP; 2- elbow housings; 2- cable adapters; 2- 0370 style lugs; 2- retainer sleeves; 1- insulated cap.
- N10. Link-Op Cable Joint Kit includes: 1- Link-Op link; 1- Link-Op BI-SOP; 2- elbow housings; 2- cable adapters; 2- 0370 style lugs; 2- retainer sleeves; 2- insulated caps.
- N11. 600AT assembly tool required for operation and/or installation of Link-Op. 600ATM is recommended for installing Link-Op/Cam-Op retaining sleeves.
- N12. For 900 Amp ratings, substitute 675 for 650 and 655; 676 for 656; K675 for K650 and K655; K676 for K656; 775 for 750 and 755; 776 for 756 and 2X for 0X in the part number. The 900 Amp rating requires copper current-carrying connector components and copper conductor cable.
- N13. Add suffix symbol from page 29 to include cable shield grounding kit and/or cable jacket sealing kit.
- N14. To add elbows or arresters instead of insulating caps, replace the "DRG" with "LR-WX" for elbows (with test point) or "ESA" for elbow arresters.
- N15. The 650ABV is required when the bushing horizontal spacing on the equipment or junctions is less than 5".
- N16. Cam-Op operating kit includes accessories that enable visible break, testing, isolation and grounding functions to be performed. Kit includes: 3- Cam-Op loadbreak reducing tap plugs; 3- grounding elbows; 1- assembly tool; 1- test rod; 1- carry case; 1- lubricant; 1- instructions.
- N17. Link-Op operating kit includes accessories that enable visible break, testing, isolation and grounding functions to be performed. Kit includes: 6- Link-Op loadbreak reducing tap plugs; 3- grounding elbows; 1- assembly tool; 1- test rod; 1- carry case; 1- lubricant; 1- instructions.
- N18. 600 Series Elbows and Straight Receptacles with IEEE Std. 386 capacitive test points are available by substituting 656 for 655; K656 for K655; K676 for K675; 756 for 755; 676 for 675; K676 for K675 and 776 for 775 in the part number.
- N19. Rated for both 25kV and 35kV applications.

Refer to the **W** and **X** tables on pages 38 and 39 for sizing to cable insulation diameter and conductor size.

For cable shield adapters and jacket seals, see page 28.

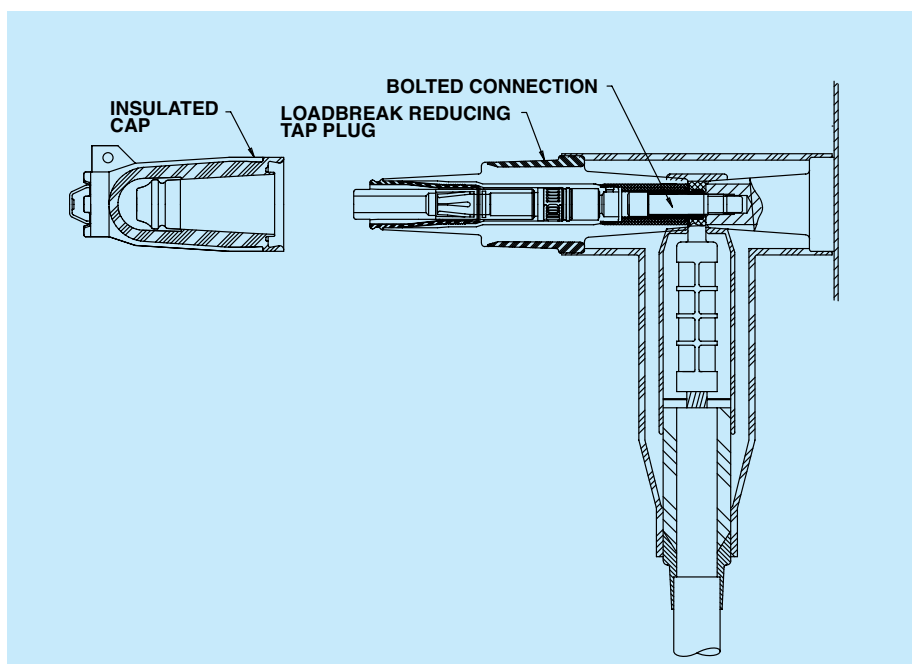
Elastimold's 600 Series Window-Op™ and Stick-Op™ deadbreak connector systems incorporate provisions for hotstick operation of DE-ENERGIZED primary feeder or network circuits.

The Window-Op and Stick-Op connectors allow direct testing and grounding with no required cable movement.

Window-Op is ideal for equipment applications which include viewing windows to provide an internal visible break that does not require hotstick removal of the elbows.

Stick-Op provides an external visible break by hotstick removal of the elbow.

Window-Op and Stick-Op connectors are bolted and installed using torque controlled tools.



RATINGS OVERVIEW

See page 2 for complete information.

CURRENT RATINGS

600 & 900 Amp Continuous
25kA sym., 10 cycles

NOTE: 900 Amp ratings require copper cable and copper current-carrying components.

CONTINUOUS VOLTAGE RATINGS

15kV Class

8.3kV Phase-to-Ground
14.4kV Phase-to-Phase
95kV BIL
34kV AC Withstand
53kV DC Withstand
11kV Corona Extinction

25kV Class

15.2kV Phase-to-Ground
26.3kV Phase-to-Phase
125kV BIL
40kV AC Withstand
78kV DC Withstand
19kV Corona Extinction

35kV Class

21.1kV Phase-to-Ground
36.6kV Phase-to-Phase
150kV BIL
50kV AC Withstand
103kV DC Withstand
26kV Corona Extinction

STICK-OP™ & WINDOW-OP™ SYSTEM – 600 SERIES DEADBREAK

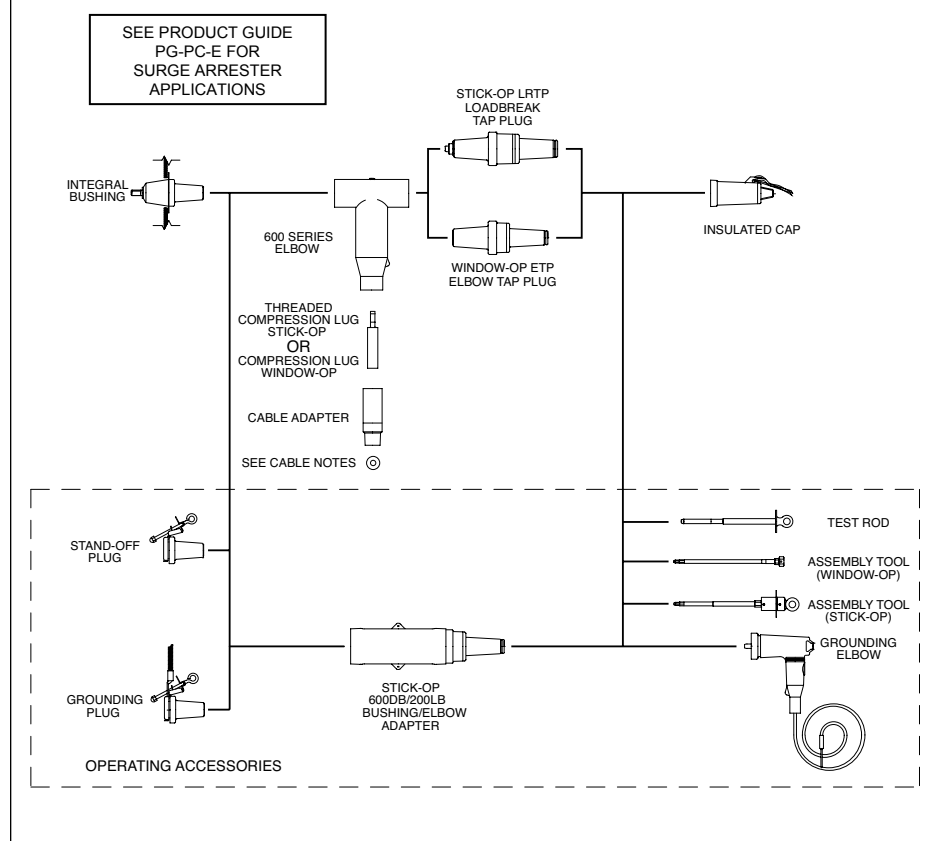


Illustration (not to scale)	Description	Voltage Class	ELASTIMOLD Part Number	Notes
	WINDOW-OP Connector Kit	15kV 25kV 35kV	655ETP-W0X-DRG Use Tables W7 and X6 K655ETP-W0X-DRG Use Tables W7 and X6 755ETP-W0X-DRG Use Tables W9 and X6	N1,4,5,6 13,15
	WINDOW-OP Replacement Connector Kit	15kV 25kV	655RETP K655RETP	N4,5,6 13,15,16
	STICK-OP Connector Kit	15kV 25kV 35kV	655LRTP-W0X-DRG Use Tables W7 and X6 K655LRTP-W0X-DRG Use Tables W7 and X6 755LRTP-W0X-DRG Use Tables W9 and X6	N2,3,4,5, 8,13
	STICK-OP Replacement Connector Kit	15kV 25kV	655RLRTP K655RLRTP	N3,4,5 8,13,16
	WINDOW-OP Loadbreak Elbow Tap Plug	15kV 25kV 35kV	650ETP K650ETP 750ETP	N4,15 N4,15 N4,15
	STICK-OP Loadbreak Reducing Tap Plug	15kV 25kV 35kV	650LRTPA3 K650LRTPA2 750LRTPA2	N3,4
	STICK-OP Bushing Adapter	15kV 25kV 35kV	655BEA3 K655BEA2 755BEA2	N3,4
	Compression Lug WINDOW-OP	ALL	03700X Use Tables X6 03702X Use Tables X6	N6 N7
	Threaded Compression Lug STICK-OP	ALL	03600X Use Tables X6 03602X Use Tables X6	N8 N9
	WINDOW-OP Size Sensitive Kit (Cable Adapter & Lug)	15/25kV 35kV	655CK-W0X Use Tables W7 and X6 755CK-W0X Use Tables W9 and X6	N5 N5
	STICK-OP Size Sensitive Kit (Cable Adapter & Threaded Lug)	15/25kV 35kV	655TCK-W0X Use Tables W7 and X6 755TCK-W0X Use Tables W9 and X6	N5 N5
	Extraction Tool	ALL	650ET	N10
	Grounding Elbow (1/0 AWG x 6' Ground Lead)	15kV 25kV 35kV	160GLR 370GLR 370GLR	N14 N14
	Test Rod	ALL	370TR	
	Assembly Tool (Stick-Op)	ALL	600AT	N3
	Assembly Tool (Window-Op)	ALL	600ATM	N15
	STICK-OP OPERATING KIT	15kV 25kV 35kV	650STICK-OK K650STICK-OK 750STICK-OK	N11 N11 N11
	WINDOW-OP OPERATING KIT	15kV 25kV 35kV	650WINDOW-OK K650WINDOW-OK 750WINDOW-OK	N12 N12 N12

- N1. Window-Op Kit includes: insulated cap; Window-Op reducing tap plug; 600 Series elbow housing; cable adapter; and 0370 style compression lug.
- N2. Stick-Op Kit includes insulated cap; Stick-Op Loadbreak reducing tap plug; 600A Elbow Housing; cable adapter; and threaded 0360 style compression lug.
- N3. 600AT assembly tool required for operation and/or installation of Stick-Op.
- N4. For 900 Amp ratings, substitute 675 for 650 and 655; 676 for 656; K675 for K650 and K655; K676 for K656; 775 for 750 and 755; 776 for 756 and 2X for 0X in the part number. The 900 Amp rating requires copper current-carrying connector components and copper conductor cable.
- N5. Add suffix symbol from page 29 to include cable shield grounding kit and/or cable jacket sealing kit.
- N6. Aluminum lug for use on aluminum or copper conductors. DO NOT substitute threaded 03600X lug.
- N7. Copper lug for use on COPPER CONDUCTOR ONLY. DO NOT substitute 03602X threaded lug.
- N8. Threaded aluminum lug (Stick-Op only) for use on copper or aluminum conductors. DO NOT substitute unthreaded 03700X lugs. DO NOT use with 675, 676, K675, K676, 775 or 776 part numbers.
- N9. Threaded copper lug (Stick-Op only) for use on copper conductors only. DO NOT substitute unthreaded 03702X lugs.
- N10. Required to disassemble Stick-Op loadbreak reducing tap plug from the threaded compression lug and 600 Series elbow after the shear-pin is broken during assembly.
- N11. Stick-Op Operating Kit includes accessories that enable visible break direct testing, isolation, and grounding functions to be performed. Kit includes: 3-insulated parking bushings; 3-grounding elbows; 3-600DB/200LB bushing/elbow adapters; 1-assembly tool; 1-test rod; 1-carry case; 1-lubricant; 1-instructions.
- N12. Window-Op Operating Kit includes accessories that enable visible grounding and direct testing functions to be performed. Kit includes: 3-grounding elbows; 1-test rod; 1-carry case; 1-lubricant; 1-instructions.
- N13. 600 Series Elbows and Straight Receptacles with IEEE Std. 386 capacitive test points are available by substituting 656 for 655; K656 for K655; K676 for K675; 756 for 755; 676 for 675; K676 for K675 and 776 for 775 in the part number.
- N14. Rated for both 25kV and 35kV applications.
- N15. 600ATM assembly tool required for Window-Op assembly. 50 – 60 ft/lbs torque wrench required but not included.
- N16. Replacement Elbow includes: insulated cap; reducing tap plug; 600 series elbow housing; I-Adapter; straight receptacle, resulting in a net gain of 20" in length vs. a standard elbow kit. Compression lugs and cable adapters are ordered separately.

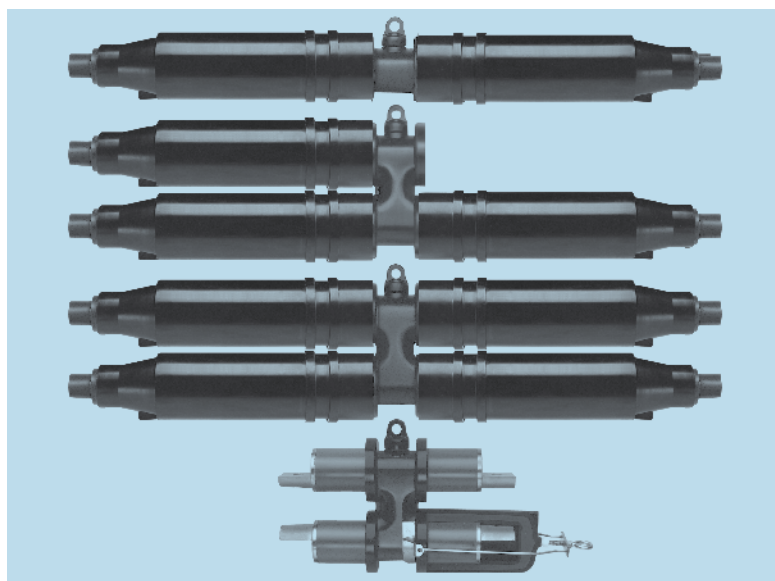
Refer to the **W** and **X** tables on pages 38 and 39 for sizing to cable insulation diameter and conductor size.

For cable shield adapters and jacket seals, see page 28.

600 Series Separable Cable Joints are available in 2, 3 and 4-way versions and include a capacitive test point as standard. Units are interchangeable, featuring bolted connections. Designs are compact and ideally suited for small vaults and manholes.

DE-ENERGIZED joints can be quickly and easily connected and disconnected using standard hand tools and equipment in accordance with accepted operating practices. Bus bars can be changed to add or remove cables from the joint.

Optional accessories include insulating and grounding caps and plugs which allow visible external separation, by-pass, isolation, dead-ending, grounding and testing.



Separable Connectors
200A Loadbreak

RATINGS OVERVIEW

See page 2 for complete information

CURRENT RATINGS

(Prefixes: 650, K650, K655, K656 & 03700)

600 Amp Continuous

25kA sym., 10 cycles

VOLTAGE RATINGS

15/25kV Class (5kV thru 28kV)

16.2kV Phase-to-Ground

28kV Phase-to-Phase

140kV BIL

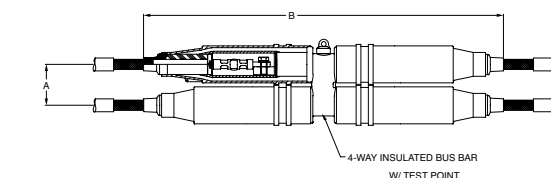
45kV AC Withstand

84kV DC Withstand

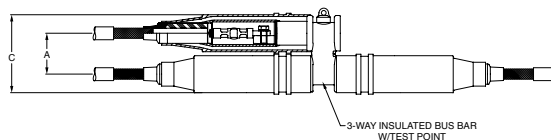
21.5kV Corona Extinction

Note: Elastimold has increased the IEEE Standard Production and Design Test levels for 25kV Class products to include 27kV and 28kV systems.

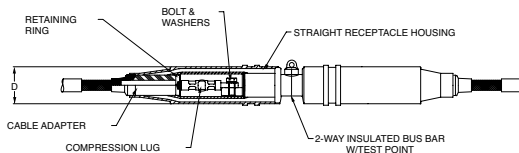
SEPARABLE CABLE JOINTS – 600 SERIES DEADBREAK



SEPARABLE H-JOINT (4-WAY)

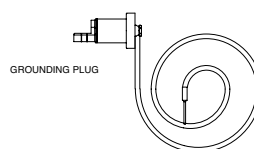
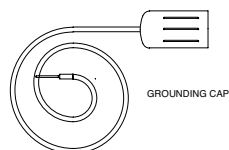
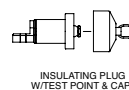
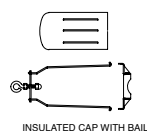


SEPARABLE WYE-JOINT (3-WAY)



SEPARABLE STRAIGHT JOINT (2-WAY)

OPERATING ACCESSORIES



Note: The separable cable joints shown here use a special “Y” interface that may not be interchangeable with other 600 Series interfaces.

DIMENSION	INCHES
A	4 1/4
B	37 1/8
C	8 1/8
D	3 7/8

Illustration (not to scale)	Description	Voltage Class	ELASTIMOLD Part Number	Notes
	Separable Straight Joint Pkg. (2-way) w/ Test Point	15/25kV	K656I-W0X Use Tables W7 and X6	N1,8
	Basic Housing Pkg. Straight Joint w/ Test Point	15/25kV	K656I-HP	N2
	Separable Wye Joint Pkg. (3-Way) w/ Test Point	15/25kV	K656CY-W0X Use Tables W7 and X6	N1,8
	Basic Housing Pkg. Wye Joint w/ Test point	15/25kV	K656CY-HP	N2
	Separable "H" Joint Pkg. (4-Way) w/ Test Point	15/25kV	K656CH-W0X Use Tables W7 and X6	N1,8
	Basic Housing Pkg. "H" Joint w/ Test Point	15/25kV	K656CH-HP	N2
	2-Way Insulated Bus Bar w/Test Point	15/25kV	K656I-BUS	N3
	3-Way Insulated Bus Bar w/Test Point	15/25kV	K656CY-BUS	N3
	4-Way Insulated Bus Bar w/Test Point	15/25kV	K656CH-BUS	N3
	Straight Receptacle	15/25kV	K655YSR-W0X Use Tables W7 and X6	N4,8
	Direct Test Straight Receptacle Elbow	15/25kV	K655YDSR-W0X Use Tables W7 and X6	N4,8,11
	Direct Test Straight Receptacle Elbow w/ Test Point	15/25kV	K656YDSR-W0X Use Tables W7 and X6	N4,8,11
	Straight Receptacle Housing Only	15/25kV	K655YBSR	N5,10
	Insulated Cap w/ Bail	15/25kV	K655YDR	
	Bail Only	15/25kV	650BA	
	Cable Adapter	15/25kV	655CA-W Use Table W7	
	Adapter Retaining Ring	15/25kV	650ARR-X Use Table X6	
	Compression Lug	15/25kV 15/25kV	03700X 03702X Use Table X6	N7 N9
	600 Series Straight Receptacle Size Sensitive Kit (Cable Adapter, Retaining Ring & Lug)	15/25kV	655CK-W0X-ARR Use Tables W7 and X6	N8

Illustration (not to scale)	Description	Voltage Class	ELASTIMOLD Part Number	Notes
	Insulating Plug w/ Test Point & Cap	15/25kV	K650YBIP	
	Grounding Plug (4/0 AWG x 6' Ground Lead)	15/25kV	650YGP	
	Grounding Cap (4/0 AWG x 6' Ground Lead)	15/25kV	650GYDR	
	Stainless Steel Bolt & Washers	15/25kV	650BAW	
	Assembly/ Disassembly Tool	ALL	600YADT-1	N6
	Assembly/ Disassembly Tool	ALL	600RRT	N6

- N1. Complete Joint Packages consisting of: insulated bus bar; straight receptacle housings, retaining rings, cable size adapters, lugs, bolts and washers.
- N2. Housing Packages consisting of the following non-size sensitive components of the joint: insulated bus bar, straight receptacle housings, bolts and washers.
- N3. Insulated bus bar only.
- N4. Straight Receptacle consisting of: straight receptacle housing, retaining ring, cable adapter, lug, bolt and washers.
- N5. Straight receptacle housing consisting of: straight receptacle housing, bolt and washers.
- N6. Recommended for ease of assembly/disassembly of receptacles to Bus. 600 YADT is lever drive & 600RRT is screw drive.
- N7. Aluminum lug for use on aluminum or copper conductors. DO NOT substitute threaded 03600X lug.
- N8. Add suffix symbol from page 29 to include cable shield grounding kit and/or cable jacket sealing kit.
- N9. Copper lug for use with COPPER CONDUCTOR ONLY. DO NOT substitute threaded 03602X lug.
- N10. Available without the bolt & washers by adding "N" to the part number.
- N11. Direct Test Connectors, along with a 200TC-X series meter adapter, a properly rated voltage meter and Hot-line Stick; provides a means for direct conductor voltage testing. See page 11 for meter adapters.

Refer to the **W** and **X** tables on pages 38 and 39 for sizing to cable insulation diameter and conductor size.

For cable shield adapters and jacket seals, see page 28.

Elastimold multi-point junctions are available in 2, 3, 4, 5 or 6 point configurations with 15, 25 or 35kV ratings. Units feature modular design flexibility, allowing selection of any combination of 200 Amp deepwell or 600 Amp bushing interfaces located on standard 4" or optional 6 1/2" centers. The 6 1/2" center spacing is especially well suited for Distributed Switchgear applications including fused elbow, MVI fault interrupter, MVS switch, etc.

Designs incorporate lightweight, damage resistant, EPDM molded rubber construction and corrosion resistant 304 stainless steel mounting brackets. Junctions are maintenance-free, fully shielded, deadfront and submersible. Units are ideally suited for subsurface, padmount, indoor and outdoor vault applications.

Elastimold multi-point junctions provide a convenient method for connecting, looping and tapping of 200 and 600 Amp elbows and other accessories at a common location where utilization of space, cable training, flexibility and operability are important.

RATINGS OVERVIEW

See page 2 for complete information

CURRENT RATINGS

600 Amp Continuous
25kA sym., 10 cycles
or with 200 Amp Bushing Well versions

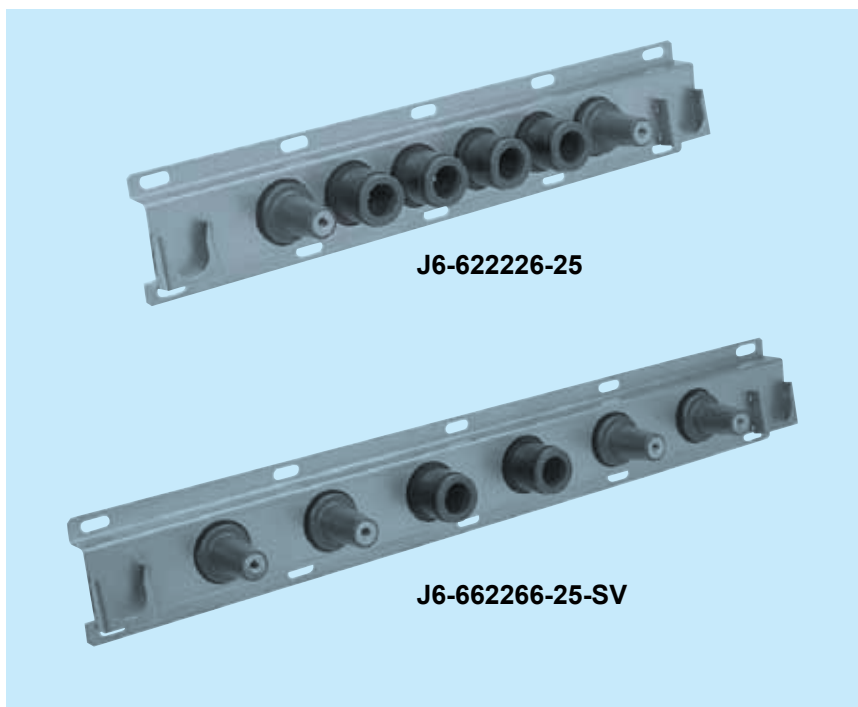
200 Amp Continuous
10kA sym., 10 cycles

VOLTAGE RATINGS

15kV Class
8.3kV Phase-to-Ground
95kV BIL
34kV AC Withstand
53kV DC Withstand
11kV Corona Extinction

25kV Class
16.2kV Phase-to-Ground
140kV BIL
45kV AC Withstand
84kV DC Withstand
21.5kV Corona Extinction

35kV Class
21.1kV Phase-to-Ground
150kV BIL
50kV AC Withstand
103kV DC Withstand
26kV Corona Extinction



DIMENSIONAL INFORMATION

Figure 1: Multi-Point Junctions with 4" Interface Spacings.

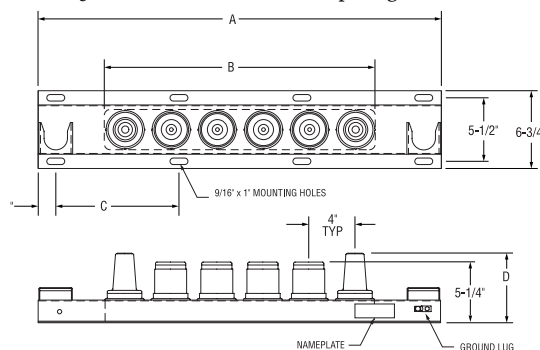
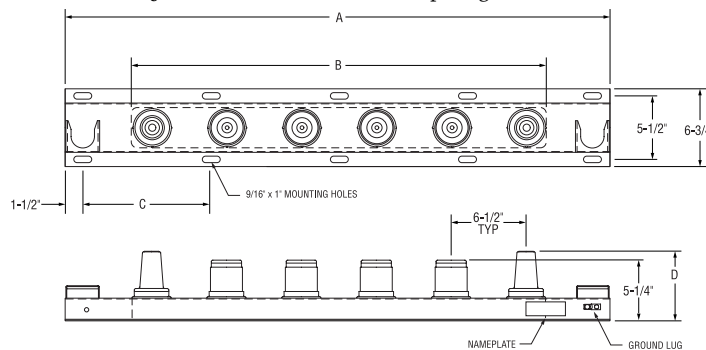
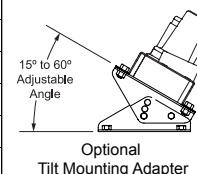


Figure 2: Multi-Point Junctions with 6 1/2" Interface Spacings.

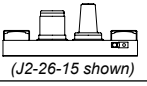

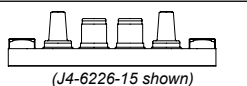
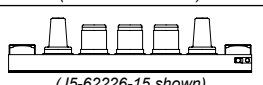



Type of Junction	Figure 1				Figure 2			
	A	B	C	number of mounting holes	A	B	C	number of mounting holes
J2	15	7 1/2	6	6	19 1/2	10	8 1/4	6
J3	19	11 1/2	8	6	26	10	11 1/2	6
J4	24	15 1/2	10	6	32 1/2	23	9 1/4	8
J5	27	19 1/2	12	6	39	10	12	8
J6	31	23 1/2	9 3/4	8	45 1/2	36	8 1/4	10



The Elastimold multi-point junctions feature modular design flexibility that permits the specifier to determine the positions of the bushing interfaces and bushing well positions.

Base Catalog Numbers

Illustration (not to scale)	Description	Voltage Class	ELASTIMOLD Part Number		Notes
			4" Spacing	6½" Spacing	
 (J2-26-15 shown)	2-point Junction	15kV 25kV 35kV	J2 - ___ - 15 J2 - ___ - 25 J2 - ___ - 35	J2 - ___ - 15-SV J2 - ___ - 25-SV J2 - ___ - 35-SV	N1, 2
 (J3-626-35 shown)	3-point Junction	15kV 25kV 35kV	J3 - _____ - 15 J3 - _____ - 25 J3 - _____ - 35	J3 - _____ - 15-SV J3 - _____ - 25-SV J3 - _____ - 35-SV	N1, 2
 (J4-6226-15 shown)	4-point Junction	15kV 25kV 35kV	J4 - _____ - 15 J4 - _____ - 25 J4 - _____ - 35	J4 - _____ - 15-SV J4 - _____ - 25-SV J4 - _____ - 35-SV	N1, 2
 (J5-62226-15 shown)	5-point Junction	15kV 25kV 35kV	J5 - _____ - 15 J5 - _____ - 25 J5 - _____ - 35	J5 - _____ - 15-SV J5 - _____ - 25-SV J5 - _____ - 35-SV	N1, 2
 (J6-622226-15 shown)	6-point Junction	15kV 25kV 35kV	J6 - _____ - 15 J6 - _____ - 25 J6 - _____ - 35	J6 - _____ - 15-SV J6 - _____ - 25-SV J6 - _____ - 35-SV	N1, 2

Separable Connectors
200A Loadbreak

ORDERING INFORMATION

To specify and order Elastimold Multi-Point Junctions:

- Use Table 1 to construct a catalog number describing the required junction.

Table 1. Catalog Number Construction

J	□	-	□ □ □ □ □ □ □	-	□ □	-	□ □	-	□ □ □
Multi-Point Junction	Number of Points		Interface Identification * and Positioning		Voltage Class		Interface Spacing		Options
	2 2 Points		2 200 Amp Deepwell Interface		15 15kV		Blank Standard spacing – 4" centers		Blank No tilt mounting bracket
	3 3 Points		6 600 Amp Bushing Interface		25 25kV		SV Optional 6½" centers		TMA Tilt Mounting Adapter. Bolts to the bottom of the standard mounting bracket to provide 15, 30, 45 or 60 degree adjustable angle mounting. (Two Tilt Mounting Adapters are required for each installation.)
	4 4 Points		B Blank Position		35 35kV				L Left parking stand only
	5 5 Points								R Right parking stand only
	6 6 Points								N No parking stand

* When there is a 200 Amp Interface on one side of the junction and a 600 Series Interface on the other side, always start with the 200 Amp side.

Ordering Example A

To order a 4-point, 15kV junction with 4" spacings and 600 series interfaces on the outside ways and 200 Amp wells on the inside ways specify: Catalog Number J4-6226-15.

Ordering Example B

To order a 6-point, 25kV junction with 6½" spacings and 600 series interfaces on the ways 1, 3, 4, 6 and 200 Amp wells on the ways 2 and 5 specify: Catalog Number J6-626626-25-SV.

N1. The 6½" wide spacing is necessary if the junction is to be used to connect with a single-phase MVS Molded Vacuum Switch or MVI Molded Vacuum Interrupter.

N2. Also available with a shorter bracket by reducing the number of parking stands, see R, L, N above.

PCJ™ Power Cable Joints utilize permanently crimped connectors. PCJ Housings are fully insulated, shielded and sealed for direct buried, vault, submersible and other severe service applications. Units have been designed and tested per IEEE Standard 404 to assure system matched performance and ratings equal to the cable to which the splice will be installed.

PCJ Power Cable Joints are available in 2 styles:

Style 1 uses a single piece housing that is sized to accommodate a specific range of cable. Style 1 units are ideally suited for straight splicing of the same or similar cable.

Style 2 designs incorporate a universal housing with separate cable adapters to allow transition splices of different types and sizes of cable.



ELECTRICAL RATINGS SUMMARY

The follow ratings summary is based on **IEEE Std. 404** and applies to all Elastimold PCJ Power Cable Joints.

VOLTAGE

- A. 15kV Class (8.7kV Phase-to-Ground)
- B. 25kV Class (14.4kV Phase-to-Ground)
- C. 35kV Class (20.2kV Phase-to-Ground)

- **Impulse Withstand:** A=110kV, B=150kV, C=200kV BIL, 1.2 x 50 microsecond wave.
- **Corona Extinction Voltage:** A=13kV, B=22kV, C=30kV minimum, 3pC sensitivity.
- **DC Withstand:** During installation: A=56kV, B=80kV, C=100kV
- **DC Withstand:**
After installation and in service for the first 5 years:
A=18kV, B=25kV, C=31kV for XLPE Insulated Cables
and A=45kV, B=64kV, C=80kV for EPR Insulated Cables.
(Reference AEIC CS6 and CS8, Section L.2.)

CURRENT

- Continuous rating equal to the rating of the cable.
- Short-Time rating equal to the rating of the cable up to 35kA.

SHIELD DESIGN

- Meets IEEE standard 592 for Exposed Semiconducting Shields on Premolded High Voltage Cable Joints and Separable Insulated Connectors.

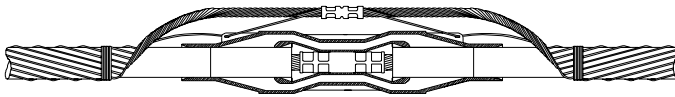
Production tests include 100% tests of the premolded joints to assure:

- **Corona Extinction Voltage:** A=13kV, B=22kV, C=30kV minimum, 3pC sensitivity.
- **AC Withstand:** A=35kV, B=52kV, C=69kV, 60 Hz, 1 minute.

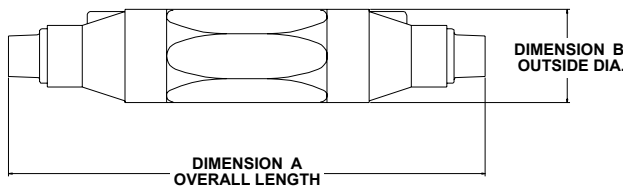
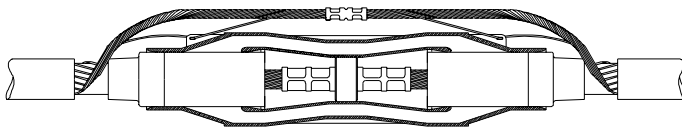
Design tests on production joints demonstrate compliance with IEEE 404 including:

- **Corona Extinction Voltage:** A=13.0kV, B=22.0kV, C=30.0kV minimum, 3pC sensitivity.
- **AC Withstand:** A=35kV, B=52kV, C=69kV, 60 Hz 1 minute.
- **DC Withstand:** A=70kV, B=100kV, C=125kV negative polarity, 15 minutes.
- **Impulse Withstand (BIL):** A=110kV, B=150kV, C=200kV, 10 positive and 10 negative, 1.2 x 50 microsecond wave, at conductor temperatures of 20° and 130°C, nominal.
- **Short-Time Current:** magnitude equal to cable up to 35kA.
- **Cyclic Aging:** 30 days at: A=26.1kV, B=43.2kV, C=60.6kV AC continuous, load current for 8 hours per day, providing 130° conductor temperature. Joints then subjected to: A=31kV, B=50kV, C=71kV for 5 hours followed by: A=39kV, B=65kV, C=91kV for 5 min.
- **Load Cycle:** Connectors meet requirements of ANSI C119.4, Class A and Class 3 ratings.

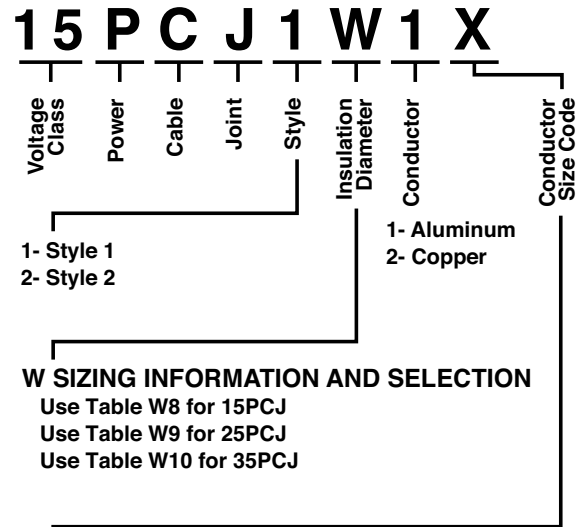
PCJ Style 1 with single-piece housing



PCJ Style 2 with universal housing and separate cable adapters that can be varied with the cable application.



ORDERING INFORMATION



W SIZING INFORMATION AND SELECTION

Use Table W8 for 15PCJ
Use Table W9 for 25PCJ
Use Table W10 for 35PCJ

X SIZING INFORMATION AND SELECTION

Use Table X7 for 15PCJ, 25PCJ and 35PCJ

DIMENSIONAL DATA

STYLE 1 PART NUMBER	A	B
	inches	inches
15PCJ1FX	10 1/4"	1 3/4"
15PCJ1GX	10 1/4"	1 3/4"
25PCJ1GX	14 3/8"	2 7/16"
15/25/35PCJ1HX	14 3/8"	2 7/16"
15/25/35PCJ1JX	14 3/8"	2 7/16"
15/25/35PCJ1KX	14 3/8"	2 25/32"
15/25/35PCJ1LX	14 3/8"	2 25/32"
15/25PCJ1LMX	14 3/8"	2 25/32"
15/25/35PCJ1MX	14 3/8"	2 25/32"
15/25/35PCJ1NX	15 3/4"	3 3/16"
15/25/35PCJ1PX	15 3/4"	3 3/16"
15/25/35PCJ1QX	15 3/4"	3 3/16"

STYLE 2 PART NUMBER	A	B
	inches	inches
15PCJ2FX	16 3/8"	2 25/32"
15/25PCJ2GX	16 3/8"	2 25/32"
15/25/35PCJ2HX	16 3/8"	2 25/32"
15/25/35PCJ2JX	16 3/8"	2 25/32"
15/25/35PCJ2KX	21"	3 3/4"
15/25/35PCJ2LX	21"	3 3/4"
15/25/35PCJ2MX	21"	3 3/4"
15/25/35PCJ2NX	21"	3 3/4"
15/25/35PCJ2PX	21"	3 3/4"
15/25/35PCJ2QX	21"	3 3/4"

Description	Voltage Class	ELASTIMOLD Part Number	Notes
Power Cable Joint Style 1	15kV	15PCJ1W1X	N1
	15kV	15PCJ1W2X	N2
	25kV	25PCJ1W1X	N1
	25kV	25PCJ1W2X	N2
	35kV	35PCJ1W1X	N1
	35kV	35PCJ1W2X	N2
Power Cable Joint Style 2	15kV	15PCJ2W1X	N1
	15kV	15PCJ2W2X	N2
	25kV	25PCJ2W1X	N1
	25kV	25PCJ2W2X	N2
	35kV	35PCJ2W1X	N1
	35kV	35PCJ2W2X	N2

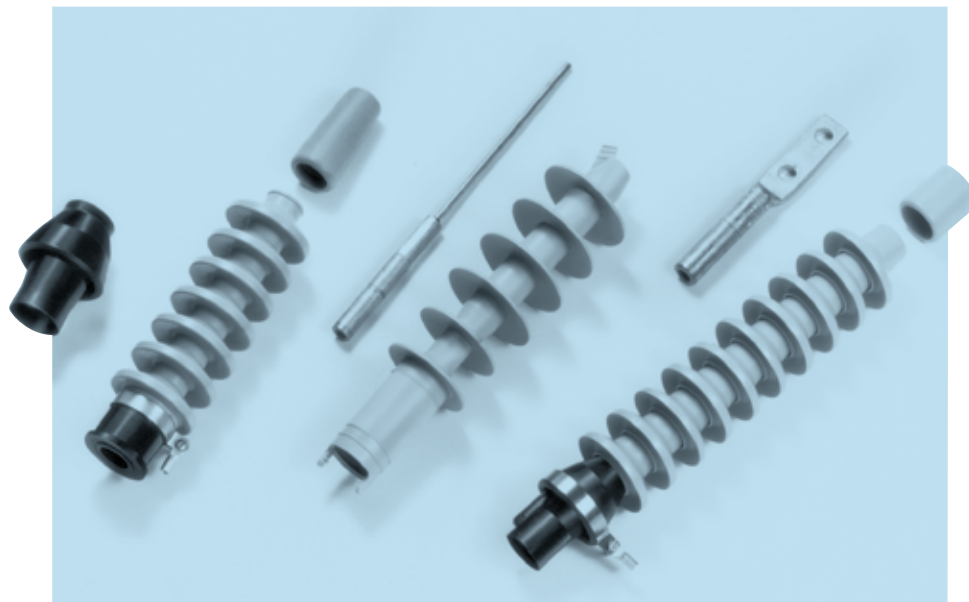
- N1. Kit includes aluminum compression connector suitable for splicing aluminum conductor to aluminum conductor or aluminum conductor to copper conductor. An all-copper connector is required for copper to copper connections.
- N2. Kit includes copper compression connector suitable for splicing copper conductors to copper conductor only. DO NOT use copper connectors on aluminum conductors.

Refer to the W and X tables on pages 38 and 39 for sizing to cable insulation diameter and conductor size.

For cable shield adapters and jacket seals, see page 28.

Elastimold cable terminations are available in single piece or modular designs. Terminators allow connection and transition from shielded, underground cable to bare overhead conductors and live-front equipment. Units are designed and rated per IEEE Standard 48 for riser pole, padmount, indoor and outdoor applications. PCT1, PCT2, 16THG and 35MTG terminators provide sufficient creep, strike and weather sealing for class 1 outdoor service. PCT1 and PCT2 also include an integral cable jacket seal.

The 35MTGI terminators and 35MSC stress cones are rated for class 2 and class 3 indoor service respectively. Optional mounting brackets, aerial lugs and equipment connectors are available as required.



Separable Connectors
200A Loadbreak

ELECTRICAL RATINGS SUMMARY

The following ratings summary is based on IEEE Std. 48 and applies to all the terminations on page 24 thru 27. Elastimold terminations are designed for use on three-phase systems, either 3-wire or 4-wire and the single-phase laterals of these systems.

VOLTAGE RATINGS

15kV Class

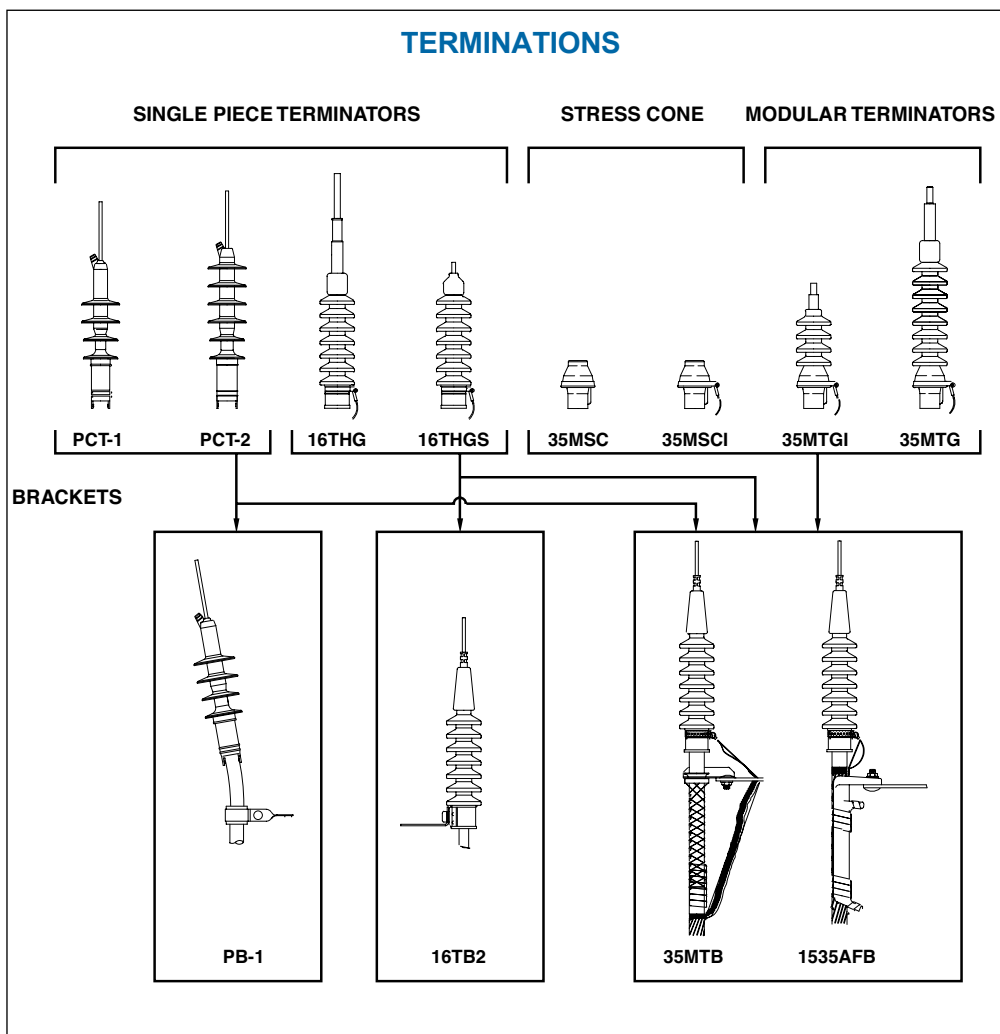
9.5kV Phase-to-Ground
110kV BIL 1.2 x 50 microsecond wave
AC Withstand:
50kV 1 min. – dry
35kV 6 hr. – dry
45kV 10 sec. – wet
13kV Corona Extinction

25kV Class

16kV Phase-to-Ground
150kV BIL 1.2 x 50 microsecond wave
AC Withstand:
65kV 1 min. – dry
55kV 6 hr. – dry
60kV 10 sec. – wet
21.5kV Corona Extinction

35kV Class

22kV Phase-to-Ground
200kV BIL 1.2 x 50 microsecond wave
AC Withstand:
90kV 1 min. – dry
75kV 6 hr. – dry
80kV 10 sec. – wet
30kV Corona Extinction



TERMINATIONS

Illustration (not to scale)	Description	Voltage Class	ELASTIMOLD Part Number	Notes
	Single-Piece Terminator (Class 1)	15kV 25kV	PCT1-1X-4 Use Table X9 PCT2-1X-4 Use Table X9	N12, 14, 15, 22 N12, 14, 15, 23
	Housing only	15kV 25kV	PCT1-4 PCT2-4	N13, 22 N13, 23
	Single-Piece Terminator (Class 1)	15/25kV	16THG-WX-4 Use Tables W12 and X8	N2, 14 15
	Housing only	15/25kV	16THGH-W Use Table W12	
	Single-Piece Terminator for solid conductor only (Class 1)	15/25kV	16THGS-WX Use Tables W12 and X4	N3
	Stress Cone (Class 3)	ALL	35MSC-W Use Table W11	N17
	Stress Cone w/Grd. Strap	ALL	35MSCI-W Use Table W11	N17
	Modules only	ALL	35MG-W Use Table W13	N11, 16
	Modular Terminator (Class 1)	15kV	35MTG-WX-4-CA Use Tables W13 and X3	N2, 11
		25kV	35MTG-WX-8-CA Use Tables W13 and X3	N2, 5, 11
		35kV	35MTG-WX-10-CA Use Tables W13 and X3	N2, 6, 11
	Modular Terminator (Class 2) w/o Rain Cap	15kV	35MTGI-W-4 Use Table W13	N11
		25kV	35MTGI-W-6 Use Table W13	N11
		35kV	35MTGI-W-8 Use Table W13	N7, 11
	Rod Contact for PCT	15/25kV	00700X Use Table X9	N1, 14, 15
	Rod Contact for 16THG	15/25kV	16TCA-X Use Table X8	N2, 8
	Solid Conductor Package for 16THGS	15/25kV	16CAS-X Use Table X4	N3, 9
	3/4"-16 Threaded Rod for MTG	ALL	35MTGA-WX-1 Use Tables W13 and X3	N2, 10, 11 18, 25
	1"-14 Threaded Rod for MTG	ALL	35MTGA-WX-2 Use Tables W13 and X3A	N2, 10, 11 19, 25
	Two-Hole Spade for MTG	ALL	35MTGA-WX-3 Use Tables W13 and X3	N4, 10, 11 20, 25
	Two-Hole Spade for PCT	ALL	01000X Use Table X9	N1
	One-Hole Spade for PCT	ALL	01100X Use Table X9	N1
	Universal Rod for MTG	ALL	35MTGA-WX-4 Use Tables W13 and X3	N2, 10, 11 21, 25
	Aerial Lugs for MTG Threaded Rod (Two-hole spade or bare wire)	ALL	35AL-A	N10, 24

- N1. Use with PCT1 or PCT2 Terminators.
- N2. Includes contact rod, ground strap and rain cap.
- N3. Includes crimp ring, ground strap and rain cap.
- N4. Includes spade contact, ground strap and rain cap.
- N5. For KA thru PB sizes use 35MTG-WX-6-CA.
- N6. For KA thru PB sizes use 35MTG-WX-8-CA.
- N7. For KA thru PB sizes use 35MTGI-W-6.
- N8. Use with 16THG Terminators.
- N9. Use with 16THGS Terminators.
- N10. Use with 35MTG Terminators.
- N11. Refer to page 26 for detailed ordering instructions.
- N12. Includes rod contact as standard. Specify suffix "-3" in place of "-4" for two-hole spade lug. Specify suffix "-5" in place of "-4" for one-hole spade lug.
- N13. Specify suffix "-3" or "-5" in place of "-4" for two-hole spade lug housing or one-hole spade style housing.
- N14. Use 1X for an aluminum rod contact for aluminum conductors only.
- N15. Substitute 0X for 1X for a universal aluminum rod contact for aluminum or copper conductors.
- N16. Available in sizes from GA thru PB & are supplied qty. 2 per package.
- N17. Available in sizes EB thru PB.
- N18. For conductors from 1/0 thru 350 kcmil.
- N19. For conductors from 400 kcmil thru 1000 kcmil.
- N20. For conductors from #2 to 1000 kcmil.
- N21. For conductors from #6 thru 4/0.
- N22. Use for insulation dia. range from .640" thru 1.070".
- N23. Use for insulation dia. range from .830" thru 1.180".
- N24. Select symbol for "A" from aerial lug ordering information on page 26.
- N25. W13 Table provides sizing for rain cap.
X10 Table provides sizing for connectors.

Refer to the **W** and **X** tables on pages 38 and 39 for sizing to cable insulation diameter and conductor size.

For cable shield adapters and jacket seals, see page 28.

ORDERING INSTRUCTIONS FOR MODULAR TERMINATORS

35MTG - W X - N - C A

I = Indoor
Blank = Outdoor

Use Table W13, below

Use Table X3 or Table X3A

NOTE: Applicable table and available sizes depend upon connector style. Reference Connector Style Selection Chart and notes A through D.

Recommended Number of Modules

	GA-JB	KA-PB
15kV	4	4
25kV	8	6
35kV	10	8

Connector Style Selection Chart

Description	Available for Conductor Sizes	Symbol	Notes
3/4"-16 Threaded Rod	1/0 thru 350 kcmil	-1	A
1"-14 Threaded Rod	400 thru 1000 kcmil	-2	B
2-Hole Spade	#2 thru 1000 kcmil	-3	C
Universal Rod	#6 thru 4/0	-4	D

Aerial Lugs for Threaded Rod Connectors Only

Type	Connector	Symbol
Bare Wire	3/4"-16 Rod	-11
2-Hole Spade	3/4"-16 Rod	-12
Bare Wire	1"-14 Rod	-21
2-Hole Spade	1"-14 Rod	-22

NOTES:

- A. Available for 1/0 through 350 conductor sizes only. Use Table X3 for size selection.
- B. Available for 400 through 1000 conductor sizes only. Use Table X3A for size selection.
- C. Available for #2 through 1000 conductor sizes only. Use Table X3 for size selection.
- D. Available for #6 through 4/0 conductor sizes only. Use Table X3 for size selection.


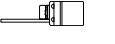
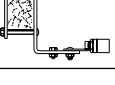
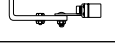


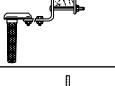

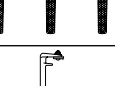

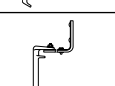


Table W13 USE FOR FOLLOWING PRODUCTS 35MTG 35MTGI	Cable Insulation Diameter in Inches		Symbol for W
	MIN.	MAX.	
	.775	.885	GA
	.825	.935	GAB
	.875	.985	GB
	.930	1.040	GH
	.980	1.115	HA
	1.040	1.175	HAB
	1.095	1.240	HB
	1.160	1.305	HJ
	1.220	1.375	JA
	1.285	1.395	JAB
	1.355	1.520	JB
	1.485	1.595	KA
	1.530	1.640	KAB
	1.575	1.685	KB
	1.665	1.785	PA
	1.755	1.875	PB

Table X3 USE FOR FOLLOWING PRODUCT 35MTG FOR USE WITH STYLE -1, -3, & -4 CONNECTORS ONLY. SEE NOTES A, C, & D FOR APPLICATION INFORMATION	Conductor SIZE AWG or kcmil	Symbol for X	
		Strand./ Compr.	Compt./ Solid.
	#6	5	-
	#5	4	5
	#4	3	4
	#3	2	3
	#2	1	2
	#1	0	1
	1/0	10	0
	2/0	20	10
	3/0	30	20
	4/0	40	30
	250	250	40
	300	300	250
	350	350	300
	400	400	350
	450	450	-
	500	500	400
	550	550	450
	600	600	500
	650	650	550
	700	750	600
	750	750	650
	800	800	750
	900	900	800
	1000	1000	900

Table X3A USE FOR FOLLOWING PRODUCT 35MTG FOR USE WITH STYLE -2 CONNECTORS ONLY. SEE NOTE B FOR APPLICATION INFORMATION	Conductor SIZE AWG or kcmil	Symbol for X	
		Strand./ Compr.	Compt./ Solid.
	400	400	-
	450	450	400
	500	500	450
	550	550	500
	600	600	500
	650-700	650	550
	750	750	600
	800	750	650
	1000	1000	-

Separable Connectors
200A Loadbreak

TERMINATIONS

Illustration (not to scale)	Description	Voltage Class	ELASTIMOLD Part Number	Notes
	PCT Positioning Bracket	ALL	PB-1	N1,12
	16THG Bracket	ALL	16TB-2	N6
	Bracket for crossarm mounting 16THG	ALL	16TB-3	N6
	Bracket for riser pole mounting 16THG	ALL	16TB-4	N6
	Bracket for tri-mounting 16THG	ALL	16TB-5	N6
	KELLUMS GRIP Bracket	ALL ALL ALL ALL	35MTB1-A 35MTB1-B 35MTB1-C 35MTB1-D	N1,2,6,7 N1,3,6,7 N1,4,6,7 N1,5,6,7
	KELLUMS Bracket for crossarm mounting	ALL ALL ALL ALL	35MTB3-A 35MTB3-B 35MTB3-C 35MTB3-D	N1,2,6,7 N1,3,6,7 N1,4,6,7 N1,5,6,7
	Bracket (for riser pole mounting)	ALL ALL ALL ALL	35MTB4-A 35MTB4-B 35MTB4-C 35MTB4-D	N1,2,6,7 N1,3,6,7 N1,4,6,7 N1,5,6,7
	KELLUMS Bracket for tri-mounting	ALL ALL ALL ALL	35MTB5-A 35MTB5-B 35MTB5-C 35MTB5-D	N1,2,6,7 N1,3,6,7 N1,4,6,7 N1,5,6,7
	ALUMA FORM Bracket	ALL	1535AFB-1	N1,6,7,13
	ALUMA FORM Bracket for Crossarm mounting	ALL	1535AFB-3	N1,6,7,13
	ALUMA FORM Bracket for riser-pole mounting	ALL	1535AFB-4	N1,6,7,13
	ALUMA FORM Bracket for tri-mounting	ALL	1535AFB-5	N1,6,7,13

- N1. Use with PCT-1 or PCT-2 Terminators.
- N2. Fits overall cable O.D. from 1.195" to 1.625".
- N3. Fits overall cable O.D. from .925" to 1.335".
- N4. Fits overall cable O.D. from .890" to 1.185".
- N5. Fits overall cable O.D. from 1.500" to 2.000".
- N6. Use with 16THG & 16THGS Terminators.
- N7. Use with MTG, MTG1 & MSC Terminators.
- N8. For conductors from 1/0 thru 350 kcmil.
- N9. For conductors from 400 kcmil thru 1000 kcmil.
- N10. For conductors from #2 to 1000 kcmil.
- N11. For conductors from #6 thru 4/0.
- N12. Fits overall cable O.D. from .750" to 1.625".
- N13. Fits overall cable O.D. from .750" to 2.000".

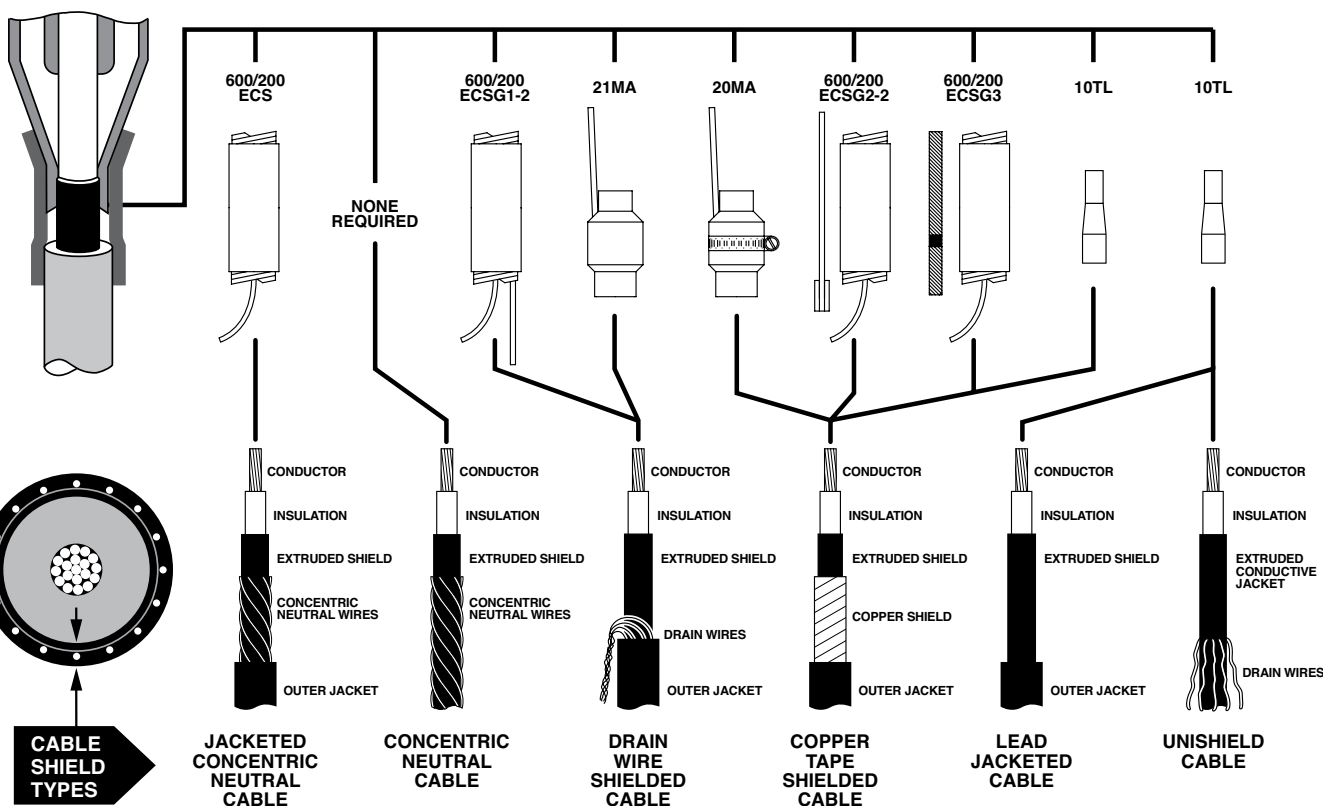
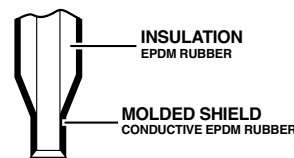
Separable Connectors
200A Loadbreak

Refer to the **W** and **X** tables on pages 38 and 39 for sizing to cable insulation diameter and conductor size.

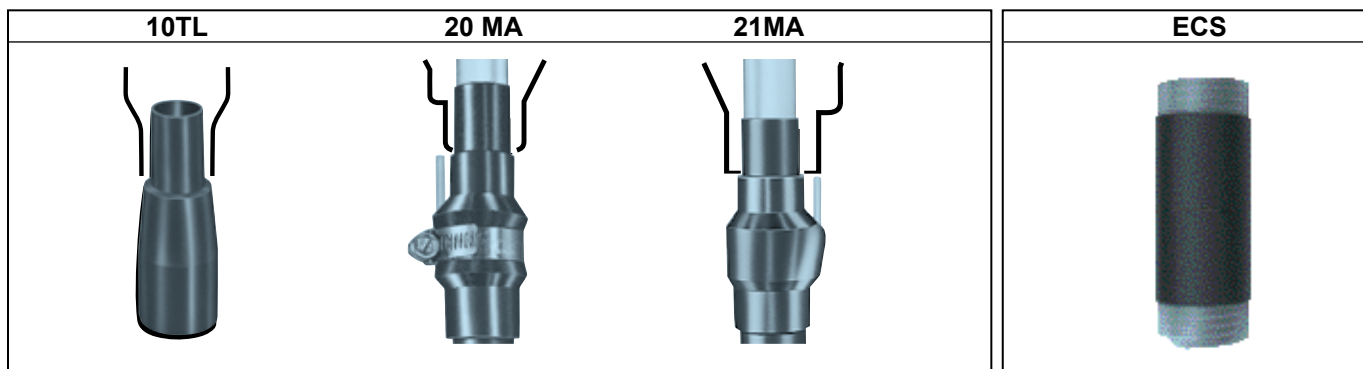
For cable shield adapters and jacket seals, see page 28.

Elastimold elbows, cable joints and terminators have been designed for use on XLP, EPR or similar solid dielectric insulated power cables. These cables are available with a variety of optional shielding and jacket constructions. In order to properly mate and install the cable to an Elastimold product, the use of a shield adaptor, grounding kit or jacket seal may be required. The diagram below provides information concerning the application and selection of various shield adaptors, grounding kits and jacket seals for the most popular cable types. Consult the factory for recommendations concerning other cable constructions.

CABLE ENTRANCE DETAIL



Separable Connectors
200A Loadbreak



CABLE SHIELD ADAPTERS				JACKET SEALS		
Cable Insulation Dia.	10TL	20MA	21MA	Jacket O.D.	200ECS	600ECS
	inches	inches	inches		inches	inches
min.	.495	.530	.530	min.	.80	1.28
max.	1.875	1.780	1.780	max.	1.50	2.30

Illustration (not to scale)	Description	ELASTIMOLD Part Number	Suffix	Notes
	Cold Shrinkable Jacket Seal	200ECS	-S	N1,3
	Cold Shrinkable Jacket Seal	600ECS	-S	N1,4
	Metallic Tape Shield Adapter	20MA-W Use Table W14 for sizing	-OMA	N1,2,5,6
	Wire Shield Adapter	21MA-W Use Table W14 for sizing	-1MA	N1,2,5,6
	Shield Adapter	10TL-W Use Table W15 for sizing	-TL	N1,2
	Cold Shrinkable Seal w/ Copper Rod & Crimp Connector	200ECSG1-2	-SG1	N1,3,5,6
	Cold Shrinkable Seal w/ Copper Rod & Crimp Connector	600ECSG1-2	-SG1	N1,4,5,6
	Cold Shrinkable Seal w/ Copper Rod & Constant Force Spring	200ECSG2-2	-SG2	N1,3,5,6
	Cold Shrinkable Seal w/ Copper Rod & Constant Force Spring	600ECSG2-2	-SG2	N1,4,5,6
	Cold Shrinkable Seal w/ Copper Braid & Constant Force Spring	200ECSG3	-SG3	N1,3,5,7
	Cold Shrinkable Seal w/ Copper Braid & Constant Force Spring	600ECSG3	-SG3	N1,4,5,7

N1. To order the kits as separate items, use the part numbers shown in the table. Example: To order a cold shrinkable tube as a separate item, use the part number 200ECS.

To order the kits as components of other items, add the suffix to the end of the part number. Example: To order a cold shrinkable jacket seal as a component of an elbow kit, use the part number 166LR-A5200-S.

N2. Only use this suffix with part numbers that designate a "W" housing size. Sizing the main component will also size the suffix adapter.

N3. Size range .80" to 1.50" jacket diameters. Maximum installed diameter is approx. 2".

N4. Size range 1.28" to 2.30" jacket diameters. Maximum installed diameter is approx. 2.75".

N5. Voltage rating equal to Elastimold product being used.

N6. Copper rod size is no. 6 for sizes FA thru HA and no. 2 for sizes HAB thru JB.

N7. Braid is equivalent to no. 6 copper rod for sizes FA thru HA and no. 2 copper rod for sizes HAB thru JB.

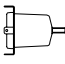

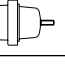
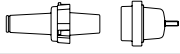

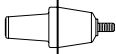

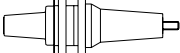
Separable Connectors
200A Loadbreak

Table W14 USE FOR 20MA 21MA	Insulation Inches		Symbol for W
	MIN.	MAX.	
	.530	.680	E
.640	.820	F	
.760	.950	G	
.850	1.050	H	
.980	1.180	J	
1.090	1.310	K	
1.180	1.465	L	
1.370	1.630	M	
1.515	1.780	N	

Table W15 USE FOR 10TL	Insulation Inches		Symbol for W
	MIN.	MAX.	
	.495	.585	EB
.525	.635	EF	
.575	.585	FA	
.625	.735	FAB	
.675	.785	FB	
.725	.835	FG	
.775	.885	GA	
.825	.935	GAB	
.875	.985	GB	
.930	1.040	GH	
.980	1.115	HA	
1.040	1.175	HAB	
1.095	1.240	HB	
1.160	1.305	HJ	
1.220	1.375	JA	
1.285	1.395	JAB	
1.355	1.520	JB	
1.485	1.595	KA	
1.530	1.640	KAB	
1.575	1.685	KB	
1.755	1.875	PB	

The Thomas & Betts Elastimold brand manufactures a complete line of 200 Amp deepwell and 600 Series apparatus bushings for use on transformers, switchgear and other equipment applications. The bushings incorporate IEEE 386 standard interfaces (shown on page 3) and are constructed of molded epoxy with stainless steel flanges for mounting by welding or gasketed clamp.

K1601PCC series bushings are provided with a molded epoxy flange for gasketed clamp mounting only. Bushings are available for use on AIR, OIL or SF6 insulated equipment. Units are rated for submersible, padmount, indoor, outdoor and other applications. Options include hold-down bail tabs and replaceable studs for 200 Amp deepwell bushings.

Illustration (not to scale)	Description	Voltage Class	ELASTIMOLD Part Number	Bushing Shank Length	Notes
	Short Shank Well with bail tabs and non-replaceable well stud	15/25kV 35kV	K1601PC-S1 L1601PC-S1	2 ³ / ₄ "	N3,7,14
	Short Shank Well with bail tabs and with replaceable well stud	15/25kV 35kV	K1601PC-S1-R L1601PC-S1-R	2 ³ / ₄ "	N1,3,7,14
	Short Shank Well without bail tabs and non-replaceable well stud	15/25kV 35kV	K1601PC-S2 L1601PC-S2	2 ³ / ₄ "	N3,7,14
	Short Shank Well without bail tabs and with replaceable well stud	15/25kV 35kV	K1601PC-S2-R L1601PC-S2-R	2 ³ / ₄ "	N1,3,7,14
	Long Shank Well with bail tabs and non-replaceable well stud	15/25kV 35kV	K1601PC-T1 L1601PC-T1	9 ¹ / ₄ "	N3,7,14
	Long Shank Well with bail tabs and with replaceable well stud	15/25kV 35kV	K1601PC-T1-R L1601PC-T1-R	9 ¹ / ₄ "	N1,3,7,14
	Long Shank Well without bail tabs and non-replaceable well stud	15/25kV 35kV	K1601PC-T2 L1601PC-T2	9 ¹ / ₄ "	N3,7,14
	Long Shank Well without bail tabs and with replaceable well stud	15/25kV 35kV	K1601PC-T2-R L1601PC-T2-R	9 ¹ / ₄ "	N1,3,7,14
	Epoxy Flange Well with replaceable well stud	15/25kV	K1601PCC-R		N1,3,7,14
	Well w/Insert (K1601PCC-R & 1601A4) Well w/Insert (K1601PCC-R & 2701A4)	15kV 25kV	1601CABA4R 2701CABA4R	2 ³ / ₄ "	N1,3,8,14 N1,3,9,14
	200 A Deadbreak Bushing	15/25kV	K180S4	2 ⁹ / ₁₆ "	N3,10,13
	200 A Deadbreak Bushing	15/25kV	K180T4	7 ¹¹ / ₃₂ "	
	200 A Deadbreak Bushing	15/25kV	K180C4	9 ¹ / ₄ "	
	600 A Short Shank Bushing w.o./stud	15/25kV	K650S1	2 ¹⁵ / ₁₆ "	N2,5,11,14,15
	600 A Short Shank Bushing w.o./stud	35kV	750S1		N2,5,12,14,16
	600 A Cu Short Shank Bushing w.o./stud	15/25kV	K675S1		N3,5,11,14,15
	600 A Long Shank Bushing w.o./stud	15/25kV	K650T1	8 ⁹ / ₁₆ "	N2,5,11,14,15
	600 A Cu Long Shank Bushing w.o./stud	15/25kV	K675T1	8 ⁹ / ₁₆ "	N3,5,11,14,15
	600 A Long Shank Bushing w.o./stud	35kV	750T1	8 ⁹ / ₁₆ "	N2,5,12,14,16
	600 A 12" Long Shank Bushing w.o./stud	35kV	750L12	12"	N2,5,12,14,16
	600 A In-Air Long Shank Bushing w.o./stud	15/25kV	K650TBC	8 ⁹ / ₁₆ "	N2,4,11,6,14
	600 A Cu In-Air Long Shank Bush. w/stud	15/25kV	K675TBC		N3,5,11,6,14
	Boot & Collars for K600T1 to use in air	15/25kV	600BC		N6

- N1. Replacement stud available separately. Specify 1601RS.
- N2. Equipped with standard aluminum conductor rod.
- N3. Equipped with copper conductor rod.
- N4. Includes 5/8-11 threaded stud at elbow end.
- N5. Includes 5/8-11 threaded hole at elbow end.
- N6. Provides increased creep and strike.
- N7. Includes 1601PPC1 shipping cap.
- N8. Includes 1601APC1 shipping cap.
- N9. Includes 2701-41 shipping cap.
- N10. Includes 180PPC shipping cap.

- N11. Includes 650PPC shipping cap.
- N12. Includes 750PPC1 shipping cap.
- N13. Parking stands for 200A deadbreak applications are available as separate items. Specify 151PS.
- N14. Parking stands for 200A loadbreak and 600A deadbreak applications are available as separate items. Specify 160PS.
- N15. Aluminum stud available separately. Specify 650SA.
- N16. Aluminum stud available separately. Specify 750SA.

REFERENCE SECTION

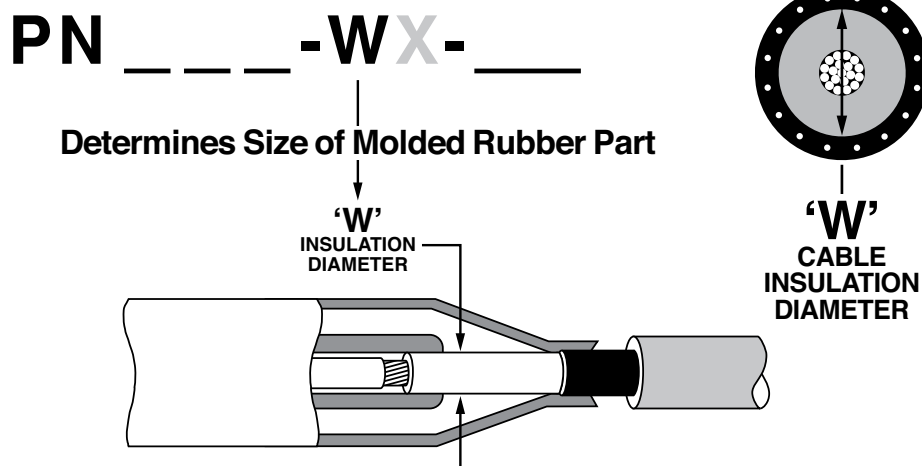
How to Specify Size-Sensitive Products 32-33

AEIC & ICEA Cable Insulation Diameter 34-36

Cable Conductor Diameter 37

WX Size Tables 38-39

Index..... 40-41



INSULATION DIAMETER SELECTION GUIDE

Elastimold Elbows, cable joints and terminations are designed for application on XLP, EPR and other solid dielectric insulated power cables. These components are constructed of molded elastomer and rely on an interference fit with the cable insulation diameter in order to maintain proper dielectric strength, creep path integrity and a water seal. Elastimold components are available in a wide range of sizes in order to accommodate a variety of cable insulation diameters.

Selection of size-sensitive components requires determining the cable insulation diameter. This can be done in several ways:

- A. Refer to the cable manufacturer's spec sheet for dimensions.
- B. Measure the cable.
- C. If the cable conforms to AEIC or ICEA standards and is:
 1. 15kV, 175 mil wall thickness, use the table on page 34.
 2. 15kV, 220 mil wall thickness, use the table on page 35.
 3. 25kV, 260 mil wall thickness, use the table on page 35.
 4. 35kV, 345 mil wall thickness, use the table on page 36.

After the cable insulation diameter minimum and maximum has been determined:

1. Locate the W table indicated in the part number selection chart.
2. Complete the ordering information by selecting and inserting the symbol (given in the W table) into the part number.

ORDERING EXAMPLES

AEIC

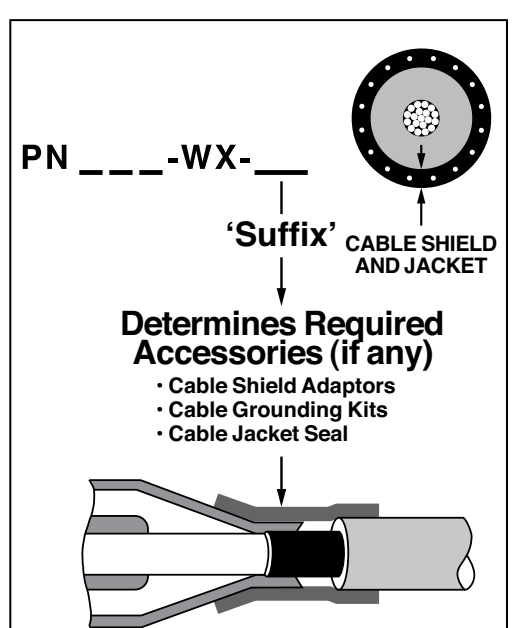
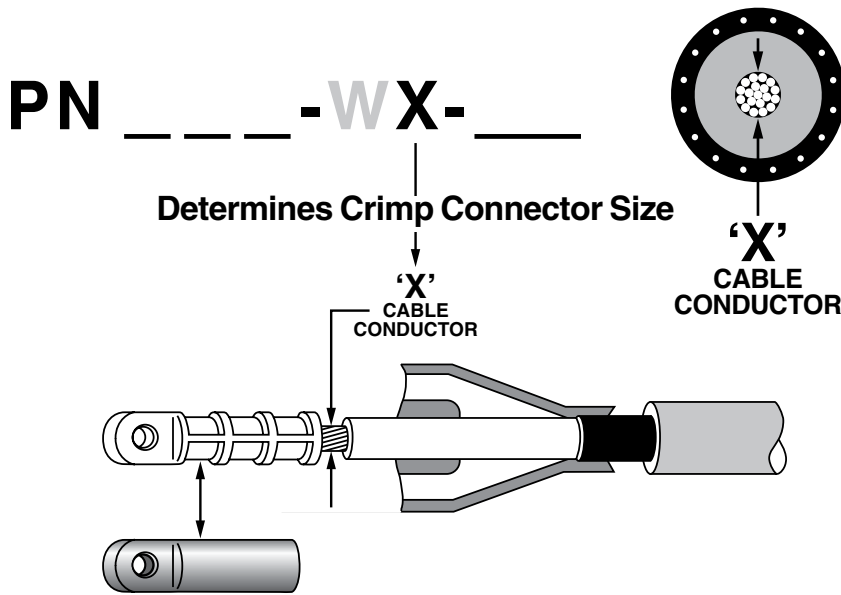
To complete the information required to order a K655LR-W0X elbow for use on standard AEIC 1000 kcmil compressed stranding aluminum 25kV cable with .260 inch thick insulation wall:

- A. Determine that the insulation diameter (for AEIC cable in the table on pages 34-36) is 1.645 – 1.770 inches.
- B. For this elbow, the part number selection chart on page 11 indicates to use table W7 for elbow sizing and table X6 for connector sizing.
- C. From table W7 the symbol for W is **N**.
- D. From table X6 the symbol for X is **410**.
- E. The completed part number therefore is K655LR-**N0410**.

ICEA

To complete the information required to order a K655LR-W0X elbow for use on standard ICEA 1000 kcmil compressed stranding aluminum 25kV cable with .260 inch thick insulation wall:

- A. Determine that the insulation diameter (for ICEA cable in the table on pages 34-36) is 1.645 – 1.740 inches.
- B. For this elbow, the part number selection chart on page 11 indicates to use table W7 for elbow sizing and table X6 for connector sizing.
- C. From table W7 the symbol for W is **N**.
- D. From table X6 the symbol for X is **410**.
- E. The completed part number therefore is K655LR-**N0410**.



CONNECTOR SELECTION GUIDE

Elastimold elbows, cable joints and terminations are furnished with crimp style cable connectors. As standard, these connectors are constructed with a tin-plated aluminum barrel filled with an oxide inhibitor. Most aluminum barrel connectors are universal and are designed for use on either aluminum or copper conductor cable.

When specified, all copper crimp style connectors can be furnished. These connectors are ONLY for use on copper conductor cable and are not for use with aluminum conductor cables. Bi-metallic connectors are constructed with a copper top and an aluminum barrel. Bi-metal connectors can be used on either aluminum or copper conductor cable and are furnished as standard with 200 Amp Loadbreak Elbows, 200 Amp Deadbreak Elbows, and PCT, 16 THG or MTG terminators with rod connectors.

Aluminum connectors used in PCJ Cable Joints are rated as follows:

- Aluminum conductor to aluminum conductor, cable rated
- Aluminum conductor to copper conductor, cable rated equal to the aluminum cable

Copper connectors used in PCJ Cable Joints are rated as follows:

- Copper conductor to copper conductor, cable rated

Selection and ordering the proper crimp connector requires determining information relative to the cable conductor as follows:

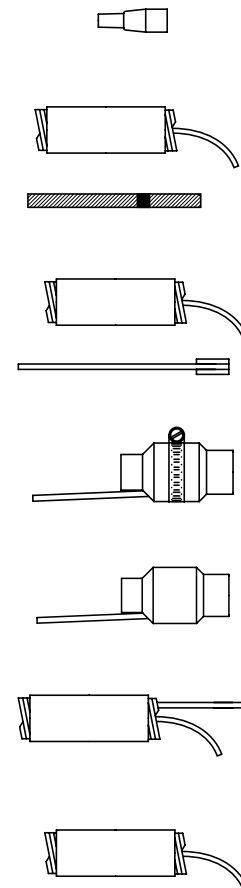
- Conductor size in AWG or kcmil
- Conductor type (stranded, compressed, compact or solid)
- Conductor material (aluminum or copper)

After the cable conductor information has been determined:

1. Locate the X table indicated in the part number selection chart.
2. Complete the ordering information by selecting and inserting the symbol (given in the X table) into the part number.

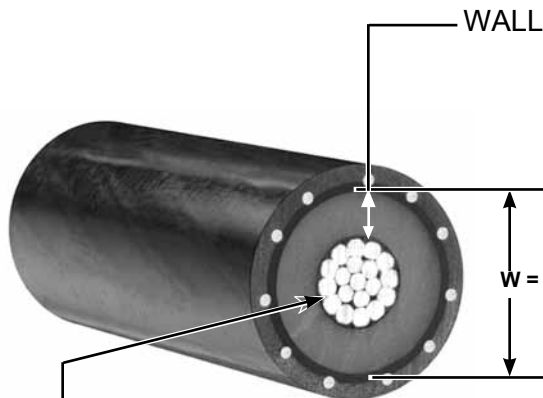
See the Ordering Example on page 32 for further information.

Reference Pages 28 & 29 for application, selection and ordering information.



- 15kV 100% – 175 mil Insulation (.175")
- 15kV 133% – 220 mil Insulation (.220")
- 25kV 100% – 260 mil Insulation (.260")
- 35kV 100% – 345 mil Insulation (.345")

Separable Connectors
200A Loadbreak



$W = \text{Insulation Diameter (Conductor + 2 X Conductor Shield + 2 X wall)}$

AEIC CS8-06

Specification for Extruded Dielectric,
Shielded Power Cable Rated 5 - 46kV

AEIC-Calculated Diameters - Solid and Compressed Stranding from
Tables C-4 & C-6 and Compact Stranding from Tables C-5 & C-7

ANSI/ICEA S-94-649-2004 & S-97-682-2000

Standard for Concentric Neutral Cables &
Utility Shielded Power Cables Rated 5 - 46kV

ICEA-Concentric Stranding Table C-3, Compressed Stranding
Table C-4, Compact Stranding Table C-5

ICEA Abbreviated, for additional cables please refer to the standard.

15kV Cable (100% level, 175 mil)

Aluminum & Copper Conductor Size	Industry Standard	Solid Conductor		Stranded Conductor		Compressed Conductor		Compact Conductor	
		Diameter in Inches Over Insulation		Diameter in Inches Over Insulation		Diameter in Inches Over Insulation		Diameter in Inches Over Insulation	
		Min.	Max.	Min.	Max.	Min.	Max.	Min.	Max.
#2	AEIC	0.610	0.700	-	-	0.635	0.725	0.620	0.710
	ICEA	0.610	0.695	0.645	0.730	0.635	0.720	0.620	0.705
#1	AEIC	0.645	0.730	-	-	0.675	0.765	0.655	0.740
	ICEA	0.645	0.725	0.685	0.770	0.675	0.760	0.655	0.735
1/0	AEIC	0.680	0.770	-	-	0.715	0.805	0.690	0.775
	ICEA	0.680	0.760	0.725	0.810	0.715	0.800	0.690	0.775
2/0	AEIC	-	-	-	-	0.760	0.850	0.730	0.815
	ICEA	-	-	0.775	0.855	0.760	0.845	0.730	0.815
3/0	AEIC	-	-	-	-	0.810	0.900	0.775	0.865
	ICEA	-	-	0.825	0.905	0.810	0.895	0.775	0.860
4/0	AEIC	-	-	-	-	0.865	0.955	0.830	0.915
	ICEA	-	-	0.880	0.965	0.865	0.950	0.830	0.910
250	AEIC	-	-	-	-	-	-	-	-
	ICEA	-	-	0.935	1.020	0.920	1.005	0.880	0.965
350	AEIC	-	-	-	-	1.025	1.115	0.980	1.065
	ICEA	-	-	1.045	1.130	1.025	1.110	0.980	1.065
500	AEIC	-	-	-	-	1.150	1.245	1.100	1.185
	ICEA	-	-	1.175	1.260	1.150	1.235	1.100	1.185
750	AEIC	-	-	-	-	1.340	1.440	1.280	1.370
	ICEA	-	-	1.370	1.455	1.340	1.425	1.280	1.365
1000	AEIC	-	-	-	-	1.485	1.590	1.430	1.520
	ICEA	-	-	1.520	1.610	1.485	1.575	1.430	1.515

ICEA NOTE: Diameters specified in the above table are different than specified by AEIC CS8-00. Consult Accessory Manufacturer for proper selection of accessories. Diameters to be measured in accordance with 9.6.

15kV Cable (133% level, 220 mil)

Aluminum & Copper Conductor Size	Industry Standard	Solid Conductor		Stranded Conductor		Compressed Conductor		Compact Conductor	
		Diameter in Inches Over Insulation		Diameter in Inches Over Insulation		Diameter in Inches Over Insulation		Diameter in Inches Over Insulation	
		Min.	Max.	Min.	Max.	Min.	Max.	Min.	Max.
#2	AEIC	0.700	0.790	–	–	0.725	0.815	0.710	0.800
	ICEA	0.700	0.790	0.735	0.825	0.725	0.815	0.710	0.800
#1	AEIC	0.735	0.820	–	–	0.765	0.855	0.745	0.830
	ICEA	0.735	0.820	0.775	0.865	0.765	0.855	0.745	0.830
1/0	AEIC	0.770	0.860	–	–	0.805	0.895	0.780	0.865
	ICEA	0.770	0.855	0.815	0.905	0.805	0.895	0.780	0.865
2/0	AEIC	–	–	–	–	0.850	0.940	0.820	0.905
	ICEA	–	–	0.865	0.950	0.850	0.935	0.820	0.905
3/0	AEIC	–	–	–	–	0.900	0.990	0.865	0.955
	ICEA	–	–	0.915	1.000	0.900	0.985	0.865	0.955
4/0	AEIC	–	–	–	–	0.955	1.045	0.920	1.005
	ICEA	–	–	0.970	1.060	0.955	1.045	0.920	1.005
250	AEIC	–	–	–	–	–	–	–	–
	ICEA	–	–	1.025	1.115	1.010	1.100	0.970	1.060
350	AEIC	–	–	–	–	1.115	1.205	1.070	1.155
	ICEA	–	–	1.135	1.220	1.115	1.200	1.070	1.155
500	AEIC	–	–	–	–	1.240	1.335	1.190	1.275
	ICEA	–	–	1.265	1.355	1.240	1.330	1.190	1.275
750	AEIC	–	–	–	–	1.430	1.530	1.370	1.460
	ICEA	–	–	1.460	1.550	1.430	1.520	1.370	1.460
1000	AEIC	–	–	–	–	1.575	1.680	1.520	1.610
	ICEA	–	–	1.610	1.705	1.575	1.670	1.520	1.610

Separable Connectors
200A Loadbreak

25kV Cable (100% level, 260 mil)

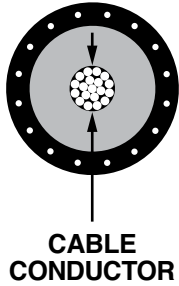
Aluminum & Copper Conductor Size	Industry Standard	Solid Conductor		Stranded Conductor		Compressed Conductor		Compact Conductor	
		Diameter in Inches Over Insulation		Diameter in Inches Over Insulation		Diameter in Inches Over Insulation		Diameter in Inches Over Insulation	
		Min.	Max.	Min.	Max.	Min.	Max.	Min.	Max.
#1	AEIC	0.805	0.900	–	–	0.835	0.935	0.815	0.910
	ICEA	0.805	0.895	0.845	0.935	0.835	0.925	0.815	0.905
1/0	AEIC	0.840	0.940	–	–	0.875	0.975	0.850	0.945
	ICEA	0.840	0.930	0.885	0.980	0.875	0.965	0.850	0.940
2/0	AEIC	–	–	–	–	0.920	1.020	0.890	0.985
	ICEA	–	–	0.935	1.025	0.920	1.010	0.890	0.980
3/0	AEIC	–	–	–	–	0.970	1.070	0.935	1.035
	ICEA	–	–	0.985	1.075	0.970	1.060	0.935	1.030
4/0	AEIC	–	–	–	–	1.025	1.125	0.990	1.085
	ICEA	–	–	1.040	1.135	1.025	1.115	0.990	1.080
250	AEIC	–	–	–	–	–	–	–	–
	ICEA	–	–	1.095	1.190	1.080	1.175	1.040	1.135
350	AEIC	–	–	–	–	1.185	1.295	1.140	1.245
	ICEA	–	–	1.205	1.295	1.185	1.275	1.140	1.230
500	AEIC	–	–	–	–	1.310	1.425	1.260	1.365
	ICEA	–	–	1.335	1.430	1.310	1.405	1.260	1.350
750	AEIC	–	–	–	–	1.500	1.620	1.440	1.550
	ICEA	–	–	1.530	1.625	1.500	1.595	1.440	1.535
1000	AEIC	–	–	–	–	1.645	1.770	1.590	1.700
	ICEA	–	–	1.680	1.775	1.645	1.740	1.590	1.685

ICEA NOTE: Diameters specified in the above tables are different than specified by AEIC CS8-00. Consult Accessory Manufacturer for proper selection of accessories. Diameters to be measured in accordance with 9.6.

35kV Cable (100% level, 345 mil)

Aluminum & Copper Conductor Size	Industry Standard	Solid Conductor		Stranded Conductor		Compressed Conductor		Compact Conductor	
		Diameter in Inches Over Insulation		Diameter in Inches Over Insulation		Diameter in Inches Over Insulation		Diameter in Inches Over Insulation	
		Min.	Max.	Min.	Max.	Min.	Max.	Min.	Max.
1/0	AEIC	1.010	1.110	–	–	1.045	1.145	1.020	1.115
	ICEA	1.010	1.110	1.055	1.155	1.045	1.145	1.020	1.120
2/0	AEIC	–	–	–	–	1.090	1.190	1.060	1.155
	ICEA	–	–	1.105	1.200	1.090	1.190	1.060	1.160
3/0	AEIC	–	–	–	–	1.140	1.240	1.105	1.205
	ICEA	–	–	1.155	1.255	1.140	1.240	1.105	1.205
4/0	AEIC	–	–	–	–	1.195	1.295	1.160	1.255
	ICEA	–	–	1.210	1.310	1.195	1.295	1.160	1.260
250	AEIC	–	–	–	–	–	–	–	–
	ICEA	–	–	1.265	1.370	1.250	1.350	1.210	1.315
350	AEIC	–	–	–	–	1.355	1.470	1.310	1.420
	ICEA	–	–	1.375	1.475	1.355	1.455	1.310	1.410
500	AEIC	–	–	–	–	1.480	1.600	1.430	1.540
	ICEA	–	–	1.505	1.605	1.480	1.580	1.430	1.530
750	AEIC	–	–	–	–	1.670	1.795	1.610	1.725
	ICEA	–	–	1.700	1.800	1.670	1.770	1.610	1.710
1000	AEIC	–	–	–	–	1.815	1.945	1.760	1.875
	ICEA	–	–	1.850	1.955	1.815	1.920	1.760	1.865

ICEA NOTE: Diameters specified in the above table are different than specified by AEIC CS8-00. Consult Accessory Manufacturer for proper selection of accessories. Diameters to be measured in accordance with 9.6.



**Conductor Diameters for Copper and Aluminum (Class B)
Stranded, Compressed, Compact and Solid Cables**

Conductor Size AWG or kcmil	No. of Strands and their Nom. Strand Dia. (in.)	Cross-sectional Area		Stranded Conductors (Inches)	Compressed Conductors (Inches)	Compact Conductors (Inches)	Solid Conductors (Inches)
		Square Inches	mm ² Conversion				
14	7 x .0242	.0032	2.08	.073	—	—	.064
12	7 x .0305	.0051	3.31	.092	—	—	.081
10	7 x .0385	.0082	5.26	.116	—	—	.102
8	7 x .0486	.0130	8.37	.146	—	—	.129
6	7 x .0612	.0206	13.30	.184	—	—	.162
4	7 x .0772	.0328	21.15	.232	—	—	.204
2	7 x .0974	.0521	33.62	.292	.283	.268	.258
1	19 x .0664	.0657	42.41	.332	.322	.299	.289
1/0	19 x .0745	.0829	53.49	.373	.362	.336	.325
2/0	19 x .0837	.1054	67.43	.418	.405	.376	—
3/0	19 x .0940	.1318	85.01	.470	.456	.423	—
4/0	19 x .1055	.1662	107.2	.528	.512	.475	—
250	37 x .0822	.1964	127	.575	.558	.520	—
350	37 x .0973	.2749	177	.681	.661	.616	—
500	37 x .1162	.3924	253	.813	.789	.736	—
600	61 x .0992	.4712	304	.893	.866	.813	—
700	61 x .1071	.5498	355	.964	.935	.877	—
750	61 x .1109	.5890	380	.998	.968	.908	—
800	61 x .1145	.6283	405	1.031	1.000	.938	—
900	61 x .1215	.7069	456	1.094	1.061	.999	—
1000	61 x .1280	.7854	507	1.152	1.117	1.060	—
1100	91 x .1099	.8639	557	1.209	1.173	—	—
1200	91 x .1148	.9425	608	1.263	1.225	—	—
1250	91 x .1172	.9818	633	1.289	1.250	—	—
1300	91 x .1195	1.021	659	1.315	1.276	—	—
1400	91 x .1240	1.100	709	1.364	1.323	—	—
1500	91 x .1284	1.178	760	1.412	1.370	—	—
1600	127 x .1122	1.257	811	1.459	1.415	—	—
1700	127 x .1157	1.335	861	1.504	1.459	—	—
1750	127 x .1174	1.374	887	1.526	1.480	—	—
1800	127 x .1191	1.414	912	1.548	1.502	—	—
1900	127 x .1223	1.492	963	1.590	1.542	—	—
2000	127 x .1225	1.571	1010	1.632	1.583	—	—

Separable Connectors
200A Loadbreak

Table W1 USE FOR FOLLOWING PRODUCTS	Cable Insulation Diameter in Inches		Symbol for W
	MIN.	MAX.	
151SP/SR	.575	.740	A
151LS/LY	.635	.905	B
165/166LR	.805	1.060	C
165/166LRJS	.890	1.220	D

Table W2 USE FOR FOLLOWING PRODUCTS	Cable Insulation Diameter in Inches		Symbol for W
	MIN.	MAX.	
273RLR	.760	.950	G
274RLR	.850	1.050	H
	.980	1.180	J
	1.090	1.310	K

Table W3 USE FOR FOLLOWING PRODUCTS	Cable Insulation Diameter in Inches		Symbol for W
	MIN.	MAX.	
375RLR	.850	1.050	H
376RLR	.980	1.180	J
	1.090	1.310	K
	1.235	1.465	L

Table W4 USE FOR FOLLOWING PRODUCTS	Cable Insulation Diameter in Inches		Symbol for W
	MIN.	MAX.	
156LR	.640	.820	F
167/168RLR	.760	.950	G
167LRT	.850	1.050	H
	.980	1.180	J
	1.090	1.310	K

Table W5 USE FOR FOLLOWING PRODUCTS	Cable Insulation Diameter in Inches		Symbol for W
	MIN.	MAX.	
167/168ELR	.665	.895	6689
273/274ELR	.740	.950	7495
	.880	1.100	88110
	1.090	1.310	K

Table W6 USE FOR FOLLOWING PRODUCTS	Cable Insulation Diameter in Inches		Symbol for W
	MIN.	MAX.	
10EP	.495	.585	EB
152EA	.525	.635	EF
160CA* (*EB - FA Only)	.575	.685	FA
	.625	.735	FAB
	.675	.785	FB
	.725	.835	FG
	.775	.885	GA
	.825	.935	GAB
	.875	.985	GB

Table W7 USE FOR FOLLOWING PRODUCTS	Cable Insulation Diameter in Inches		Symbol for W
	MIN.	MAX.	
K656I/CY/CH	.640	.820	F
K655/656LR	.760	.950	G
K655/656SR	.850	1.050	H
655/656LINK	.980	1.180	J
K655/656LINK	.980	1.180	J
655/656ETP	1.090	1.310	K
K655/656ETP	1.090	1.310	K
655/656RTP	1.180	1.465	L
K655/656LRTP	1.180	1.465	L
655/656BI-LINK	1.280	1.430	LM
K655/656BI-LINK	1.280	1.430	LM
655CA/CK/TCK	1.370	1.630	M
	1.515	1.780	N
	1.725	1.935	P

Table W8 USE FOR FOLLOWING PRODUCTS	Cable Insulation Diameter in Inches		Symbol for W
	MIN.	MAX.	
15PCJ-1	.640	.820	F
15PCJ-2	.760	.950	G
	.850	1.050	H
	.980	1.180	J
	1.090	1.310	K
	1.180	1.465	L
	1.280	1.430	LM
	1.370	1.630	M
	1.515	1.780	N
	1.725	1.935	P
	1.900	2.120	Q

Table W9 USE FOR FOLLOWING PRODUCTS	Cable Insulation Diameter in Inches		Symbol for W
	MIN.	MAX.	
25PCJ-1	.760	.950	G
25PCJ-2	.850	1.050	H
755/756LR	.980	1.180	J
755/756LINK	1.090	1.310	K
755/756ETP	1.180	1.465	L
755/756LRTP	1.280	1.430	LM
755/756BI-LINK	1.370	1.630	M
755CA/CK/TCK	1.515	1.780	N
	1.725	1.935	P
	1.900	2.120	Q

Table W10 USE FOR FOLLOWING PRODUCTS	Cable Insulation Diameter in Inches		Symbol for W
	MIN.	MAX.	
35PCJ-1	.850	1.050	H
35PCJ-2	.980	1.180	J
	1.090	1.310	K
	1.180	1.465	L
	1.280	1.430	LM
	1.370	1.630	M
	1.515	1.780	N
	1.725	1.935	P
	1.900	2.120	Q

Table W11 USE FOR FOLLOWING PRODUCTS	Cable Insulation Diameter in Inches		Symbol for W
	MIN.	MAX.	
35MSC	.495	.585	EB
35MSCI	.525	.635	EF
	.575	.685	FA
	.625	.735	FAB
	.675	.785	FB
	.725	.835	FG
	.775	.885	GA
	.825	.935	GAB
	.875	.985	GB
	.930	1.040	GH
	.980	1.115	HA
	1.040	1.175	HAB
	1.095	1.240	HB
	1.160	1.305	HJ
	1.220	1.375	JA
	1.285	1.395	JAB
	1.355	1.520	JB
	1.485	1.595	KA
	1.530	1.640	KAB
	1.575	1.685	KB
	1.665	1.785	PA
	1.755	1.875	PB

Table W12 USE FOR FOLLOWING PRODUCTS	Cable Insulation Diameter in Inches		Symbol for W
	MIN.	MAX.	
16THG	.495	.585	EB
16THGS	.525	.635	EF
16THGH	.575	.685	FA
	.625	.735	FAB
	.675	.785	FB
	.725	.835	FG
	.775	.885	GA
	.825	.935	GAB
	.875	.985	GB
	.930	1.040	GH
	.980	1.115	HA

Table W16 USE FOR FOLLOWING PRODUCTS	Cable Insulation Diameter in Inches		Symbol for W
	MIN.	MAX.	
275/276LR	.635	.905	B
275/276LRJS	.800	1.060	CC
	.940	1.170	DD
	1.090	1.310	E

Please see page 26 for Table W13 and page 29 for Tables W14 and W15.

Table X1 USE FOR FOLLOWING PRODUCTS	Conductor Size AWG or kcmil	Symbol for X	
		Strand./Compr.	Compt./Solid.
167/168ELR	#4	200	190
273/274ELR	#3	210	200
156LR	#2	220	210
165/166LR	#1	230	220
275/276LR	1/0	240	230
167LRT	2/0	250	240
167/168RLR	3/0	260	250
273/274RLR	4/0	270	260
00400	250	—	270
02500			
02509			
02702			
02800			
K151SP/SR			
K151LS/LY			

Table X2 USE FOR FOLLOWING PRODUCTS	Conductor Size AWG or kcmil	Symbol for X	
		Strand./Compr.	Compt./Solid.
375/376LR	1/0	240	230
	2/0	250	240
	3/0	260	250
	4/0	270	260

Table X3 USE FOR FOLLOWING PRODUCTS	Conductor Size AWG or kcmil	Symbol for X	
		Strand./Compr.	Compt./Solid.
35MTG	#6	5	—
	#5	4	5
	#4	3	4
	#3	2	3
	#2	1	2
	#1	0	1
	1/0	10	0
	2/0	20	10
	3/0	30	20
	4/0	40	30
	250	250	40
	300	300	250
	350	350	300
	400	400	350
	450	450	—
	500	500	400
	550	550	450
	600	600	500
	650	650	550
	700	750	600
	750	750	650
	800	800	750
	900	900	800
	1000	1000	900

Table X3A USE FOR FOLLOWING PRODUCTS	Conductor Size AWG or kcmil	Symbol for X	
		Strand./Compr.	Compt./Solid.
35MTG	400	400	—
	450	450	400
	500	500	450
	550	550	500
	600	600	500
	650-700	650	550
	750	750	600
	800	750	650
	1000	1000	—

Table X4 USE FOR FOLLOWING PRODUCTS	Riser Conductor Size.	Symbol for X
	AWG Solid	
16THGS	#2	2
16CAS	#1	2
	1/0	10
	2/0	20
	3/0	30
	4/0	30

Table X6 USE FOR FOLLOWING PRODUCTS	Conductor Size AWG or kcmil	Symbol for X	
		Strand./Compr.	Compt./Solid.
655/656LRTP	#2	220	210
K655/656LRTP	#1	230	220
755/756LRTP	1/0	240	230
K656I/Y/H	2/0	250	240
K655/656LR	3/0	260	250
755/756LR	4/0	270	260
K655/656SR	250	280	270
655/656LINK	300	290	280
K655/656LINK	350	300	290
755/756LINK	400	310	300
655/656ETP	450	320	310
K655/656ETP	500	330	320
755/756ETP	550	340	320
655/656BI-LINK	600	350	330
K655/656BI-LINK	650	360	340
755BI-LINK	700	380	350
655CK	750	380	360
755CK	800	390	360
655TCK	800	390	360
03600	900	400	380
03602	1000	410	400
03700	1250	440	420
03702			

Table X7 USE FOR FOLLOWING PRODUCTS	Conductor Size AWG or kcmil	Symbol for X	
		Strand./Compr.	Compt./Solid.
15PCJ1	#6	180	—
25PCJ1	#5	190	180
35PCJ1	#4	200	190
15PCJ2	#3	210	200
25PCJ2	#2	220	210
35PCJ2	#1	230	220
	1/0	240	230
	2/0	250	240
	3/0	260	250
	4/0	270	260
	250	280	270
	300	290	280
	350	300	290
	400	310	300
	450	320	310
	500	330	310
	550	340	320
	600	350	330
	650	360	340
	700	380	350
	750	380	360
	800	390	380
	900	400	380
	1000	410	400
	1250	440	420

Table X8 USE FOR FOLLOWING PRODUCTS	Conductor Size AWG or kcmil	Symbol for X	
		Strand./Compr.	Compt./Solid.
16THG	#6	180	—
16TCA	#5	190	180
	#4	200	190
	#3	210	200
	#2	220	210
	#1	230	220
	1/0	240	230
	2/0	250	240
	3/0	260	250
	4/0	270	260

Table X9 USE FOR FOLLOWING PRODUCTS	Conductor Size AWG or kcmil	Symbol for X	
		Strand./Compr.	Compt./Solid.
PCT1	#2	220	210
PCT2	#1	230	220
01000	1/0	240	230
01010	2/0	250	240
	3/0	260	250
	4/0	270	260

Separable Connectors
200A Loadbreak

CABLE ACCESSORIES

Index

Separable Connectors
200A Loadbreak

Catalog Number	Page Number	Catalog Number	Page Number	Catalog Number	Page Number	Catalog Number	Page Number
00400X	7	160DRG	5	25PCJ1QX	23	35MTB4-A	27
00700X	25	160GLR	5,15,17	25PCJ1W1X	23	35MTB4-B	27
01000X	25	161GP	5	25PCJ1W2X	23	35MTB4-C	27
01100X	25	161SOP	5	25PCJ2GX	23	35MTB4-D	27
02500X	7,9	164FT	5	25PCJ2HX	23	35MTB5-A	27
02509X	7	164FT2-AB	5	25PCJ2JX	23	35MTB5-B	27
02702X	7,9	164FT3-AB	5	25PCJ2KX	23	35MTB5-C	27
02800X	7	164FT4-AB	5	25PCJ2LX	23	35MTB5-D	27
03600X	17	164FTV	5	25PCJ2MX	23	35MTGA-WX-1	25
03602X	17	164J2	7	25PCJ2NX	23	35MTGA-WX-2	25
03700X	11,15,17,19	164J2-5	7	25PCJ2PX	23	35MTGA-WX-3	25
03702X	11,15,17,19	164J3	7	25PCJ2QX	23	35MTGA-WX-4	25
10EP-W	7,9	164J3-5	7	25PCJ2W1X	23	35MTGI-W-4	25
10TL-W	29	164J4	7	25PCJ2W2X	23	35MTGI-W-6	25
150BA	9	164J4-5	7	2701A4	5	35MTGI-W-8	25
150TB1	9	164SOP	5	2701CABA4R	30	35MTG-WX-10-CA	25
150TB2	9	165LRJS-W5X	5	2701EA4	5	35MTG-WX-4-CA	25
150TB3	9	165LR-W5X	5	2702A1	5	35MTG-WX-8-CA	25
150TB4	9	166LRF	7	272GP	5	35PCJ1HX	23
150TB5	9	166LRJS-W5X	5	272SOP	5	35PCJ1JX	23
151GP	9	166LR-W5X	5	273DELR-W5X	5	35PCJ1KX	23
152EA-W	9	167DELR-W5X	5	273DLR-W5X	5	35PCJ1LX	23
1535AFB-1	27	167DLR-W5X	5	273DRG	5	35PCJ1MX	23
1535AFB-3	27	167DRG	5	273ELR-W5X	5	35PCJ1NX	23
1535AFB-4	27	167ELR-W5X	5	273RLR-W5X	5	35PCJ1PX	23
1535AFB-5	27	167LRT-W5X	5	274DELR-W5X	5	35PCJ1QX	23
156DLR-W5X	9	167RLR-W5X	5	274DRG	5	35PCJ1W1X	23
156LRF	9	168DELR-W5X	5	274ELR-W5X	5	35PCJ1W2X	23
156LR-W5X	9	168DRG	5	274FLR H-W0X	5	35PCJ2HX	23
15PCJ1FX	23	168ELR-W5X	5	274FT	5	35PCJ2JX	23
15PCJ1GX	23	168FLR H-W0X	5	274FT2-AB	5	35PCJ2KX	23
15PCJ1HX	23	168RLR-W5X	5	274FT3-AB	5	35PCJ2LX	23
15PCJ1JX	23	16CAS-X	25	274FT4-AB	5	35PCJ2MX	23
15PCJ1KX	23	16TB-2	27	274FTV	5	35PCJ2NX	23
15PCJ1LMX	23	16TB-3	27	274J2	7	35PCJ2PX	23
15PCJ1LX	23	16TB-4	27	274J2-5	7	35PCJ2QX	23
15PCJ1MX	23	16TB-5	27	274J3	7	35PCJ2W1X	23
15PCJ1NX	23	16TCA-X	25	274J3-5	7	35PCJ2W2X	23
15PCJ1PX	23	16THGH-W	25	274J4	7	3701A3	5
15PCJ1QX	23	16THGS-WX	25	274J4-5	7	3701A4	5
15PCJ1W1X	23	16THG-WX-4	25	274LRF	7	3702A1	5
15PCJ1W2X	23	200AT	5	274RLR-W5X	5	370GLR	5,15,17
15PCJ2FX	23	200ECS	29	274SOP	5	370TR	5,15,17
15PCJ2GX	23	200ECSG1-2	29	275LRJS-W5X	5	371FT	5
15PCJ2HX	23	200ECSG2-2	29	275LR-W5X	5	372SOP	5
15PCJ2JX	23	200ECSG3	29	276BWP	5	373FT	5
15PCJ2KX	23	200TC-1	7,11	276LRJS-W5X	5	373FT2-AB	5
15PCJ2LX	23	200TC-2	7,11	276LR-W5X	5	373FT3-AB	5
15PCJ2MX	23	200TC-4	7,11	35AL-A	25	373FT4-AB	5
15PCJ2NX	23	20MA-W	29	35MG-W	25	373FTV	5
15PCJ2PX	23	21MA-W	29	35MSCI-W	25	373J2	7
15PCJ2QX	23	25PCJ1GX	23	35MSC-W	25	373J2-5	7
15PCJ2W1X	23	25PCJ1HX	23	35MTB1-A	27	373J3	7
15PCJ2W2X	23	25PCJ1JX	23	35MTB1-B	27	373J3-5	7
1601A4	5	25PCJ1KX	23	35MTB1-C	27	373J4	7
1601CABA4R	30	25PCJ1LMX	23	35MTB1-D	27	373J4-5	7
1601EA4	5	25PCJ1LX	23	35MTB3-A	27	375DRG	5
1602A3R	5	25PCJ1MX	23	35MTB3-B	27	375LR-W5X	5
160CA-W	7,9	25PCJ1NX	23	35MTB3-C	27	375LRF	7
160DR	5	25PCJ1PX	23	35MTB3-D	27	376DRG	5

Catalog Number	Page Number	Catalog Number	Page Number	Catalog Number	Page Number	Catalog Number	Page Number
376LR-W5X	5	750LBM-3	15	K151SP-W0X	9	K655L2	13
600AT	15,17	750LINK-OK	15	K151SR-W0X	9	K655L3	13
600ATM	11,13,17	750LK-C	15	K1601PCC-R	30	K655L4	13
600BC	30	750LK-C-VB	15	K1601PC-S1	30	K655LINK-B-LR-W0X-A-DRG	15
600ECS	29	750LRTPA2	17	K1601PC-S1-R	30	K655LINK-B-LR-W0X-B-DRG	15
600ECSG1-2	29	750LT-B	15	K1601PC-S2	30	K655LINK-C-LR-W0X-A-DRG	15
600ECSG2-2	29	750S1	30	K1601PC-S2-R	30	K655LINK-C-LR-W0X-B-DRG	15
600ECSG3	29	750SA	11	K1601PC-T1	30	K655LRTP-W0X-DRG	17
600RRT	19	750SOP	11	K1601PC-T1-R	30	K655LR-W0X	11
600SW	11,13	750STICK-OK	17	K1601PC-T2	30	K655RETP	17
600YADT-1	19	750T1	30	K1601PC-T2-R	30	K655RLRTP	17
650AB	15	750VSA	11	K1601WFT	5	K655SR-W0X	11
650ABV	15	750WINDOW-OK	17	K1601WFTV	5	K655VSL2	13
650ARR-X	11,19	755BE	11	K1601WJ2	7	K655VSL3	13
650BA	19	755BEA2	17	K1601WJ2-5	7	K655VSL4	13
650BAW	19	755BI-LINK-B-LR-W0X-DRG	15	K1601WJ3	7	K655YBSR	19
650CAB	15	755BI-LINK-C-LR-W0X-DRG	15	K1601WJ3-5	7	K655YDR	19
650CAM-OK	15	755BLR	11	K1601WJ4	7	K655YDSR-W0X	19
650ET	17	755BVS	11	K1601WJ4-5	7	K655YSR-W0X	19
650ETP	11,17	755CA-W	11	K180C4	30	K656BLR	11
650GP	11	755CK-W0X	11,15,17	K180S4	30	K656BRLR	11
650GYDR	19	755CK-W0X-ARR	11	K180T4	30	K656CH-BUS	19
650LINK-OK	15	755DLR-W0X	11	K650BIP	11	K656CH-HP	19
650LK-C	15	755ETP-W0X-DRG	17	K650CAB	15	K656CH-W0X	19
650LK-C-VB	15	755L1	13	K650CAM-OK	15	K656DLR-W0X	11
650LRTPA3	17	755L2	13	K650CP	11	K656CY-BUS	19
650LT-B	15	755L3	13	K650ETP	11,17	K656CY-HP	19
650RS	15	755L4	13	K650J2	13	K656CY-W0X	19
650RSC	15	755LINK-B-LR-W0X-A-DRG	15	K650J3	13	K656DLR-W0X	11
650SA	11	755LINK-B-LR-W0X-B-DRG	15	K650J4	13	K656DR	11
650STICK-OK	17	755LINK-C-LR-W0X-A-DRG	15	K650LB	15	K656DRG	11
650VSA	11	755LINK-C-LR-W0X-B-DRG	15	K650LBM-3	15	K656I-BUS	19
650WINDOW-OK	17	755LRTP-W0X-DRG	17	K650LINK-OK	15	K656I-HP	19
650YGP	19	755LR-W0X	11	K650LK-C	15	K656I-W0X	19
655BEA3	17	755TCK-W0X	17	K650LK-C-VB	15	K656LR-W0X	11
655BI-LINK-B-LR-W0X-DRG	15	755VSL2	13	K650LRTPA2	17	K656YDSR-W0X	19
655BI-LINK-C-LR-W0X-DRG	15	755VSL3	13	K650LT-B	15	K675S1	30
655CA-W	11,19	755VSL4	13	K650RTP	11	K675T1	30
655CK-W0X	11,15,17	756BLR	11	K650RTW	11	K675TBC	30
655CK-W0X-ARR	11, 19	756DLR-W0X	11	K650S1	30	L1601PC-S1	30
655ETP-W0X-DRG	17	756LR-W0X	11	K650SOP	11	L1601PC-S1-R	30
655LINK-B-LR-W0X-A-DRG	15	J2-	21	K650SRA	11	L1601PC-S2	30
655LINK-B-LR-W0X-B-DRG	15	J3-	21	K650STICK-OK	17	L1601PC-S2-R	30
655LINK-C-LR-W0X-A-DRG	15	J4-	21	K650T1	30	L1601PC-T1	30
655LINK-C-LR-W0X-B-DRG	15	J5-	21	K650TBC	30	L1601PC-T1-R	30
655LRTP-W0X-DRG	17	J6-	21	K650WINDOW-OK	17	L1601PC-T2	30
655RETP	17	K1501A1	9	K650YBIP	19	L1601PC-T2-R	30
655RLRTP	17	K1501FT	9	K651CP	11	M276BWP	5
655TCK-W0X	17	K1501J2-U	9	K655BE	11	PB-1	27
750BIP	11	K1501J3-U	9	K655BEA2	17	PCT1-1X-4	25
750CAB	15	K1501J4-U	9	K655BI-LINK-B-LR-W0X-DRG	15	PCT1-4	25
750CAM-OK	15	K1502A1	9	K655BI-LINK-C-LR-W0X-DRG	15	PCT2-1X-4	25
750CP	11	K150DP	9	K655BLR	11	PCT2-4	25
750ETP	11,17	K150DR	9	K655BRLR	11		
750GP	11	K150S	9	K655BSR	11		
750J2	13	K150SOP	9	K655BVS	11		
750J3	13	K150T	9	K655DLR-W0X	11		
750J4	13	K151LS-W1X	9	K655DSR-W0X	11		
750L12	30	K151LY-W1X	9	K655ETP-W0X-DRG	17		
750LB	15	K151SOP	9	K655L1	13		

Separable Connectors
200A Loadbreak

POWER DELIVERY



Thomas&Betts

Thomas & Betts Corporation
8155 T&B Blvd.
Memphis, TN 38125
Tel: (800) 888-0211
Fax: (800) 888-0690

www.tnb.com

PG-CA-1109
©2009 Thomas & Betts Corporation
All rights reserved. Printed in the USA. 5M